

APPEAL SERIES CABINETS



SPEC BOOK

Table of Contents

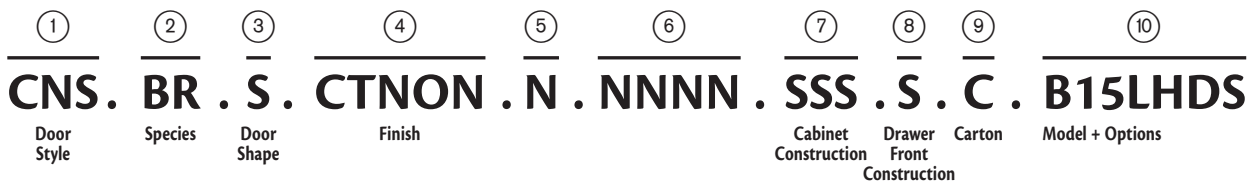
Product Code System	2-6	Vanity Cabinets	G1-G8
Code System	2-3	Vanity Cabinets	G1-G7
Understanding Product Codes	4	Vanity Accessories	G8
What's New	5	Office Cabinets	H1-H2
Order Upcharge Guide	6	Office Cabinets	H1
		Office Accessories	H2
Index	i-ii	Universal Cabinets	I1-I4
Door Styles	A1-A4	Universal Cabinets	I1-I3
Finishes	B1-B2	Universal Cabinet Accessories	I4
Cabinet Specifications and Options	C1-C10	Panels-Shelving-Trays	J1-J6
Cabinet Specifications	C1-C4	Panels	J1-J2
Construction Options	C5-C10	Shelving	J3-J4
		Trays	J5-J6
Wall Cabinets	D1-D10	Decorative Enhancements	K1-K10
Wall Cabinets	D1-D2	Supports & Valances	K1
Wall Corner Cabinets	D3-D5	Moldings	K2-K6
Wall Open Cabinets	D6	Hardware	K7-K10
Wall Appliance Cabinets	D7	Replacement Parts	L1-L18
Wall Accessories	D8-D10	Replacement Hardware	L1-L6
Base Cabinets	E1-E12	Accessory Hinged Prep for Glass Door	L7
Base Cabinets	E1-E3	Touch Up Materials	L8-L10
Base Sink and Appliance Cabinets	E4-E5	Sales Doors	L11
Base Corner Cabinets	E6-E8	Understanding Replacement Parts	L12-L13
Base Accessories	E9-E12	Doors and Drawer Fronts - Sizes	L14-L18
Tall Cabinets	F1-F6	Nomenclature Index	M1-M2
Tall Cabinets	F1-F2		
Tall Appliance Cabinets	F3		
Tall Accessories	F4-F6		

Code System

Ordering Code

Order codes are built from global options, model, and model options which together define an orderable item. The order code is created from the door, finish, construction, cartoning, model and model options to complete the order code. The order code can incorporate all possible combinations available in this product line. Each order code must be complete to be recognized as a unique product. By understanding the code system you can identify any product with any variation or option in one place.

Following is a breakdown of each order code segment and how it combines to make a full order code. Each segment is identified with an identification number. That number will be repeated on this page and every page where the specification of product relates to a segment position of the order code.



① Door Style	Code
Collins	CNS
Colony	CLY
Homestead	HMD
McDurmon	MCU
Wesley	WLY

② Species	Code
Birch	BR
Laminate	LM

③ Door Shape	Code
Square	S

④ Stain Finishes	Code
Boardwalk	BWNON
Pecan	PCNON
Steel Grey	SGNON
Twilight	TWNON

④ Painted Finish	Code
Cotton	CTNON
Shale	SENON

④ Laminate	Code
Grey	GRNON
White	WHNON

⑤ This attribute is being held for future use to indicate special finishing options
N

⑥ This attribute is being held for future use to indicate special construction material options
NNNN

⑦ Cabinet Construction

⑦a	⑦b	⑦c
Cabinet Construction Code	Drawer Box Code	Thick Shelf Code
S	S, D	S

Options	Code
Standard Construction, Standard Drawers, Standard Shelves	SSS
Standard Construction, Dovetail Drawers, Standard Shelves	SDS

⑧ Drawer Front Construction	Code
Solid Drawer Front	S

⑨ Cartoning	Code
Cartoned	C
Face Wrap	F

10 Model + Options

Code must appear in the order listed below. Not all code slots need to appear in the model + option code, just the options that apply.

10a Model	10b Depth Code	10c Hinging Code	10d Tray/Shelf Code	10e Glass Door Code	10g Partial Cabinet Code
W1842	9" deep 09	Left L	Half Depth Shelf HDS	Prepared for Glass Door PG	Cabinet Front Only CFO
B21	12" deep 12	Right R	Full Depth Shelf FDS		
B27B	15" deep 15		1 Standard Tray 1ST		Case Only Option CSO
U159624	18" deep 18		2 Standard Trays 2ST		
VCD3035DL	21" deep 21		1 Standard Full Width Tray 1FT		Frame Only Option FRM
	24" deep 24				

Model + Option Code Examples

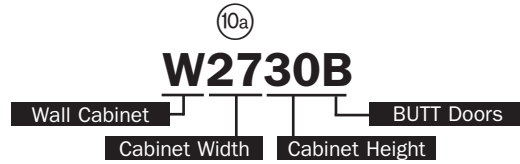
	Code
Wall Single Door Cabinet 18" Wide x 42" High x 12" Deep Hinged Right	W1842R
Wall Single Door Cabinet 18" Wide x 42" High x 15" Deep	W184215
Base Single Door Cabinet 21" Wide Hinged Right with 1 Standard Tray	B21R1ST
Base BUTT Door Cabinet 27" Wide with Half Depth Shelf	B27BHDS
Base BUTT Door Cabinet 27" Wide with 1 Standard Full Width Tray	B27B1FT
Utility Cabinet Single Door 15" Wide x 96" High x 24" Deep Hinged Right	U159624R
Vanity Combination Drawer 30" Wide x 34 1/2" High Drawers Left	VCD3035DL

Understanding Product Codes

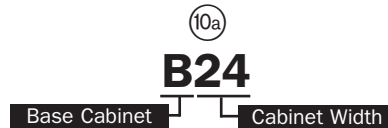
Standard Cabinets

Wall Cabinet widths are always listed first followed by height. A standard wall cabinet is 12" deep except for Wall Refrigerator Cabinets which have a standard depth of 24". Thus 27 is the width, 30 is the height and depth is 12". Depth is only listed as the last two numbers when depth is other than standard. Cabinets with a "B" suffix have BUTT Doors without a center stile.

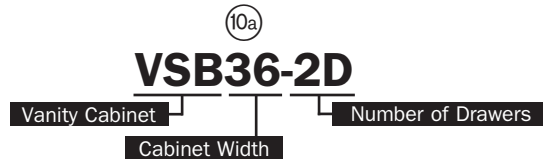
Tall cabinets follow the same sequence characteristics as Wall Cabinets; width first followed by height (eg: U1884). In those instances where the cabinet depth is greater than 12", the sequence is width and height, followed by depth (eg: U188424).



Base Cabinets are simpler than Wall Cabinets because the height (34 1/2" plus 1 1/2" for the countertop) and the depth (24") are always the same unless otherwise noted. The only numbers you need to know are the width. Cabinets with the "B" suffix have BUTT doors without a center stile.

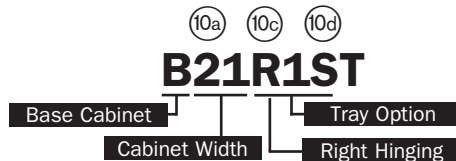


Vanity Cabinets are similar to Base Cabinets; the numbers are used to represent the width. Vanity Sink Base Cabinets are either 31 1/2" or 34 1/2" high plus 1 1/2" for the countertop. This particular cabinet is 31 1/2" high and comes standard with two drawers and is located at the end of the code.

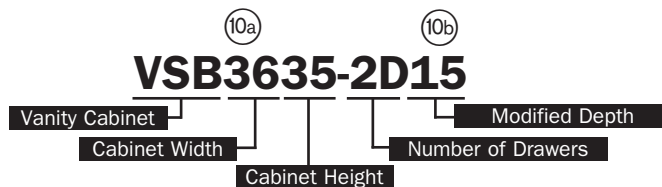


Cabinets with Options

Trays are an available option for select Base Cabinets. With Trays as options, we are able to communicate with greater detail the different trays to choose from and the availability of the option with ease. The option of 1 Standard Tray has been chosen for this cabinet.



Modified Depth options are available in increments of 3". With six options of Modified Depth to choose from, you are able to interact with our products on a truly semi-custom level. The option of reduce to 15" deep has been chosen for this cabinet. This cabinet is 36" wide, 34 1/2" high with 2 drawers and a modified depth of 15".



What's New for 2021-2022

New

Watch for this icon highlighting new items

Watch for grey codes and this note highlighting new models or codes

B24D

Grey color coding indicates new product, size or code

New Product	
Finishes	Page
Boardwalk Stain	B1
Steel Grey Stain	B1
Wall Cabinets	Page
Wall Cabinets with Butt Doors	D2
Bookcase Cabinets – 36" Widths	D6
Base Cabinets	Page
Base Cabinets with Butt Doors	E2, E4
Base Wastebasket Cabinet – 15" Width	E3
Deep Sink Base Cabinet	E4
Base Trimmable Microwave Cabinet	E5
Base Accessories	Page
Base Wastebasket Kits	E9
Tall Cabinets	Page
Tall Cabinets with Butt Doors	F1-F3
Vanity Cabinets	Page
Vanity Cabinets with Butt Doors	G1, G3
Universal Access Cabinets	Page
Universal Access Cabinets with Butt Doors	I2-I3
Panels – Shelving – Trays	Page
Base Shelving – Full Depth	J3
Replacement Shelving	J4
Base Tray Kit	J5
Vanity Tray Kit	J6
Replacement Parts	Page
170 Degree Hinge	L4
Bi-Fold Hinge	L4
Shelf Clip with Stop – For 3/4" Thick Shelves	L5
Accessory Hinged Prep for Glass Door	L7
Door & Drawer Fronts	L14-L18

What's Changed

New Design for Base Wastebasket Cabinet
Shelves for Butt Door Cabinets will be 3/4" Thick

What's Discontinued

Finishes
Clove Stain on Colony Door
Mirage Stain on Collins Door
Mirage Stain on Colony Door
Mirage Stain on Homestead Door

Base Accessories
Base Wastebasket Topmount Assembly

Panels – Shelving – Trays
1/2" Thick Shelves for 27" Wide Butt Door Cabinets
(BS2724, RBS2712, RWS2712, RWS2715, RWS2724)

Order Upcharge Guide

Finishes	%	Construction Options	Code	% or \$
Laminate Finishes	N/C	Standard Construction	SSS	N/C
Stain Finishes	N/C	Standard Construction with Dovetail Drawers	SDS	\$80/ drawer core
Painted Finishes	12%	Depth Modification	09	25%
		Depth Modification	12	25%
		Depth Modification (<i>except Bookcases</i>)	15	25%
		Depth Modification - Bookcases	15	50%
		Depth Modification (<i>except Bookcases</i>)	18	25%
		Depth Modification - Bookcases	18	50%
		Depth Modification (<i>except Bookcases</i>)	21	25%
		Depth Modification - Bookcases	21	50%
		Depth Modification (<i>except Bookcases</i>)	24	25%
		Depth Modification - Bookcases	24	50%
		Half Depth Shelf	HDS	N/C
		Full Depth Shelf	FDS	\$25
		Standard Full-Width Trays	1FT	\$75
		Standard Trays	1ST	\$50
		Standard Trays	2ST	\$100
		Cabinet Front Only	CFO	-20%
		Case Only	CSO	-20%
		Frame Only	FRM	-36%
		Face Wrap on applicable product (color/sku specific)	F	-3%

ITEM	PAGE	ITEM	PAGE	ITEM	PAGE
#					
170 Degree Hinge	L4	Fill Stick	L9	Rear Mounting Bracket - Full Extension	
3/4 Extension Side Mount Roller Guide Kit	L1	Frame Only Option	C10	Side Mount Ball Bearing Guides	L3
3/4 Extension Side Mount Roller Guide Peninsula Base Kit	L1	Full Depth Shelf	C8	Rear Mounting Bracket - Full Extension Under Mount Soft-Close Guides	L3
3/4 Extension Side Mount Roller Guides	L1	Full Extension Side Mount Ball Bearing Guide Kit	L1	Rear Mounting Bracket - Full Extension Under Mount Soft-Close Guides DKD	L3
		Full Extension Side Mount Ball Bearing Guides	L2	Rear Mounting Bracket - Full Extension Under Mount Soft-Close Guides Peninsula Base	L3
		Full Extension Under Mount Soft-Close Guide Kit	L2	Refrigerator End Panel	F5
		Full Extension Under Mount Soft-Close Guides	L2	Refrigerator End Panel w/Attached Filler	F5
		Full Extension Under Mount Soft-Close Peninsula Base Guide Kit	L2	Replacement Shelving	J4
		Full Overlay 6 Way Hinge	L4	Roll-Out Trays - Solid Wood	J6
		Full Overlay 6 Way Hinge SoftAction Furniture Shelf Kit	J3		
A				S	
Accessory Hinged Prep for Glass Door Information	L7	H		Sales Door	L11
Angle Crown Molding	K2	Hardware	K7-K10	Scribe Molding	K5
Angle Crown Molding Face Mount	K2	Half Depth Shelf	C8	Shelf Clips - 1/2"	L5
Angle Outside Corner Molding - 135°	K2	Heat Shield	E11	Shelf Clips - 3/4"	L5
				Shelf Clip with Stop - 1/2"	L5
B		I		Shelf Clip with Stop - 3/4"	L5
Back Plugs	L6	Inset Light Rail	K4	Shelf Kits	J3
Base Blind Corner	E7	Installation Screws	L6	Shelf Support Back Pack	L5
Base Corner Fixed Shelf	E8			Shelf Support Center	L5
Base Corner Revolving Builder	E7			Shelf Support Pack	L5
Base Double Door	E2			Shoe Molding	K6
Base Double Door Full-Height	E2			Sink Base Angle	E5
Base End Panel	E10			Sink Base Double Door	E4
Base End Panel Filler	E11			Sink Base Single Door	E4
Base Floating Plumbing Skirt	E5			Sink Front Angle	E5
Base Four Drawer	E2			Sink Front Bottom	E10
Base Shelving-Full Depth	J3			Sink Front Diagonal Bottom	E10
Base Single Door	E1	L		Sink Front End Panel	E11
Base Single Door Full-Height	E1	Large Sterling Crown Molding	K4	Soffit Crown Molding	K6
Base Swing-Out Shelves	E9	Lazy Susan Shelf Kit	D9	SoftAction Angle Restrictor Clip	L4
Base Three Drawer	E2	Locking Device - Full Extension Under Mount Soft-Close Guides	L2	SoftAction Door Hardware	L6
Base Tray Kit - Standard	J5			Solid Wood Stock	K6
Base Trimmable Microwave Cabinet	E5			Standard Full-Width Trays	C9
Base Wastebasket Floor Mount Kit Single	E9	M		Standard Trays	C9
Base Wastebasket	E3	Molding Build-Up Strip 96"	K5		
Base Wastebasket Kit	E9			T	
Bi-Fold Hinge	L4			Tall End Panel	F5
Bookcase Cabinets	D6	N		Tall Filler	F4, G8
		Narrow Batten Molding	K5	Tall Utility Cabinet 12" Deep	F1
				Tall Utility Cabinet 24" Deep	F2
		O		Toe Kick Cover - Laminate	E12, F5, G8
		Oven Cabinet Support Platform	F4	Touch Up Kit	L9
		Oven Cabinet Universal	F3	Touch Up Pen	L9
		Oven Drawer Kit	F3	Touch Up Quart	L10
				Touch Up Spray Can Primer	L10
		P		Touch Up Spray Can Topcoat	L10
		Panel Backer 3' Tall-Paper	J1	Traditional Furniture Base	K6
		Panel Backer 3' Tall-Veneer	J2	Traditional Light Rail	K6
		Panel Backer-Paper	J1	Traditional Overlay 6 Way Hinge	L4
		Panel Backer-Veneer	J1	Traditional Overlay 6 Way Hinge SoftAction	L4
		Peninsula Base Double Door	E3		
		Peninsula Base Single Door	E3	U	
		Putty	L10	Universal Access Panel	J2
				Universal Base Corner Revolving	I3
		Q		Universal Base Double Door	I2
		Quarter Round Molding	K5	Universal Base Lazy Susan	I3
				Universal Base Single Door	I1
				Universal Base Single Door - Full-Height	I1
				Universal Base Three Drawer	I2
				Universal Base Toe Kick Cover - Laminate	I4
				Universal Removable Sink Front Double Doors	I3
				Universal Sink Base	I2
				Utility Tray Kit	E10
D		R			
Deep Sink Base	E4	Rear Mounting Bracket - 3/4 Extension Side Mount Roller Guides	L3		
Depth Modification	C8	Rear Mounting Bracket - 3/4 Extension Side Mount Roller Guides Peninsula Base	L3		
Desk End Panel Contoured	H2				
Desk Knee Drawer Deep Trimmable	H1				
Desk Knee Drawer Trimmable	H1				
Double Oven Cabinet Kit	F4				
F					
Face Mount Hinge	L4				
Face Mount Hinge SoftAction	L4				

ITEM	PAGE	ITEM	PAGE	ITEM	PAGE
V					
Valance Contemporary	K1				
Vanity Base Double Door Full-Height	G1				
Vanity Base Four Door Full-Height	G2				
Vanity Base Single Door	G1				
Vanity Base Single Door Full-Height	G1				
Vanity Base Three Door Full-Height	G2				
Vanity Combination Drawer					
Eight Drawer Single Door	G6				
Vanity Combination Drawer					
Six Drawer Single Door	G5				
Vanity Combination Drawer Three Drawer	G5				
Vanity Combination Drawer Two Drawer	G5				
Vanity Drawer Four Drawer	G6				
Vanity Drawer Three Drawer	G6				
Vanity Floating Plumbing Skirt	G7				
Vanity Front Sample	L11				
Vanity Sink Base Double Bowl	G3				
Vanity Sink Base Double Door	G3				
Vanity Sink Base Single Door	G2				
Vanity Sink Base Two Drawer Double Door	G3				
Vanity Sink Base Two Drawer Four Door	G4				
Vanity Sink Base Two Drawer Three Door	G4				
Vanity Tray Kit	J6				
Vanity Wall Recessed	G7				
Vent Clip Pack	L6				
W					
Wall Angle Single Door	D5				
Wall Blind Corner Double Door	D4				
Wall Blind Corner Single Door	D4				
Wall Corner Closure	D9				
Wall Double Door	D2				
Wall End Panel	D8				
Wall Filler	D8				
Wall Filler Corner	D8				
Wall Lattice	D6				
Wall Microwave Shelf	D7				
Wall Refrigerator	D2				
Wall Single Door	D1				
Wine Storage Cabinet	D6				

Door Styles

Wood Species and Characteristics

Birch is a medium-density hardwood with a distinct, moderate grain pattern that ranges from straight to wavy or curly. The predominant sapwood color is white to creamy yellow, while the heartwood varies in color from medium or dark brown to reddish brown, which may result in color variation within the same door.

Laminate is a thermo-plastic polymer wrap that is applied to engineered wood or Medium-Density Fiberboard (MDF). This cabinetry gives you a uniform appearance.

Door Styles by Price Column

Col	Door Styles	Code
1	Colony	CLY.BR.S.S
2	Collins	CNS.BR.S.S
2	McDurmon	MCU.LM.S.S
3	Homestead	HMD.BR.S.S
3	Wesley	WLY.BR.S.S

Door Styles Alphabetically

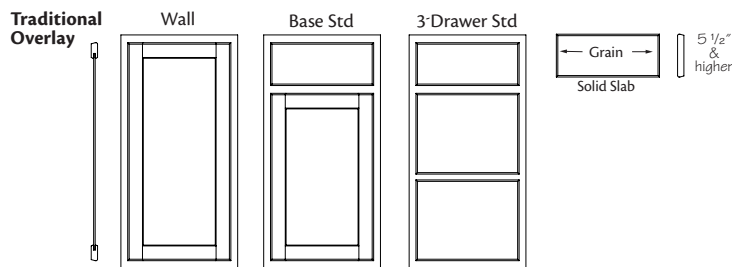
Col	Door Styles	Code
2	Collins	CNS.BR.S.S
1	Colony	CLY.BR.S.S
3	Homestead	HMD.BR.S.S
2	McDurmon	MCU.LM.S.S
3	Wesley	WLY.BR.S.S

Collins

Traditional Overlay



CNS. BR. S. S Birch Price Column 2



- 2" stiles and rails, 3/4" thick solid hardwood
- 5/32" recessed center panel is veneer applied to an engineered wood core
- Painted product in Birch door styles may be constructed from hardwoods or engineered wood substrates
- Slab drawer front is solid wood; painted drawer front may be solid wood or engineered substrate
- Mortise and tenon construction
- Door and drawer front have horizontal reverse bevels
- Hardware is optional

Collins Finishes

- ◆ Available as Standard
- Upcharge

Boardwalk	BWNON	◆
Cotton	CTNON	●
Pecan	PCNON	◆
Shale	SENON	●
Steel Grey	SGNON	◆
Twilight	TWNON	◆

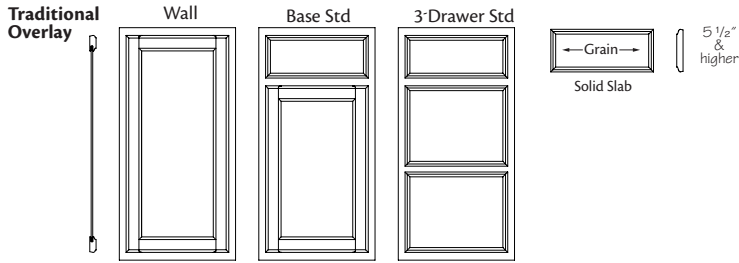


Colony

Traditional Overlay

① ② ③ ⑧
CLY. BR. S. S

Birch Price Column 1



- 2" stiles and rails, 3/4" thick solid hardwood
- 5/32" recessed center panel is veneer applied to an engineered wood core
- Painted product in Birch door styles may be constructed from hardwoods or engineered wood substrates
- Slab drawer front is solid wood; painted drawer front may be solid wood or engineered substrate
- Mortise and tenon construction
- Door and drawer front have horizontal reverse bevels
- Hardware is optional

Colony Finishes

❖ Available as Standard
 ● Upcharge

Cotton CTNON ●
 Pecan PCNON ❖
 Twilight TWNON ❖

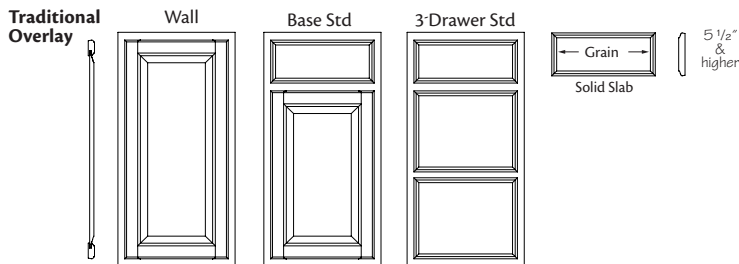


Homestead

Traditional Overlay

① ② ③ ⑧
HMD.BR. S. S

Birch Price Column 3

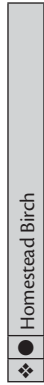


- 2" stiles and rails, 3/4" thick solid hardwood
- 1/2" raised center panel is veneer applied to an engineered wood core
- Painted product in Birch door styles may be constructed from hardwoods or engineered wood substrates
- Slab drawer front is solid wood; painted drawer front may be solid wood or engineered substrate
- Mortise and tenon construction
- Door and drawer front have horizontal reverse bevels
- Hardware is optional

Homestead Finishes

❖ Available as Standard
 ● Upcharge

Cotton CTNON ●
 Twilight TWNON ❖

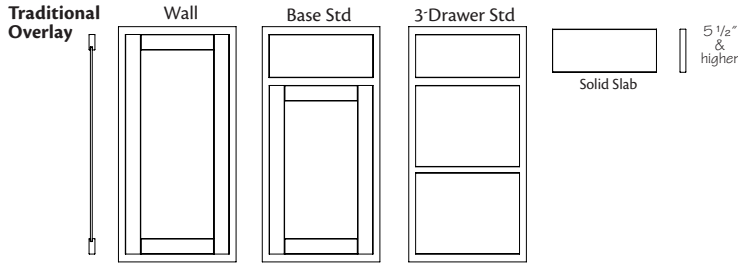


McDurmon

Traditional Overlay

① ② ③ ⑧
MCU.LM. S. S

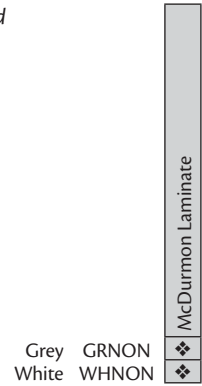
Laminate Price Column 2



- 2" stiles and rails; 3/4" thick
- 1/4" recessed center panel has laminate applied to a Medium Density Fiberboard (MDF) core
- Door rails and stiles are individually wrapped with laminate and assembled using two wood dowels per joint
- Ends of door stiles are edge banded
- Tall doors have a single recessed panel
- Slab drawer front is Medium Density Fiberboard (MDF) core with laminate wrap and edge banded alongside vertical edges
- Hardware is optional

McDurmon Finishes

❖ Available as Standard

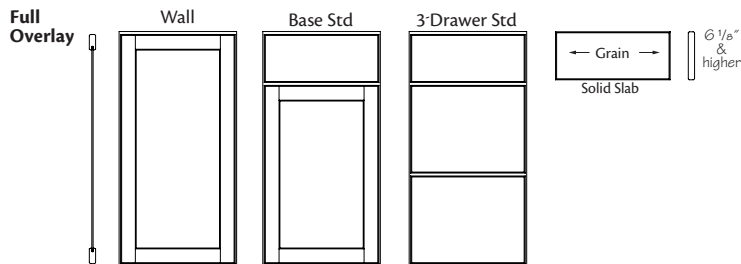


Wesley

Full Overlay

① ② ③ ⑧
WLY.BR. S. S

Birch Price Column 3



- 2" stiles and rails, 3/4" thick solid hardwood
- 5/32" recessed center panel is veneer applied to an engineered wood core
- Painted product in Birch door styles may be constructed from hardwoods or engineered wood substrates
- Slab drawer front is solid wood; painted drawer front may be solid wood or engineered substrate
- Mortise and tenon construction
- Hardware is required

Wesley Finishes

❖ Available as Standard

● Upcharge



Notes

Finishes

Finishes

Finishes protect and enhance the natural beauty of wood. Extra care is taken to assure a uniform finish. Because we are dedicated to customer satisfaction, we feel that it is important to explain some of the characteristics of finishes on hardwood.

Finish Terminology

End Grain

End grain surfaces and softer areas of the wood may accept more stain and often appear darker than other surfaces. This is a natural reaction when finishing wood products and potential variances cannot be controlled.

Joint Lines

Since wood is in a constant state of expansion and contraction, visible lines are normal at the joints on the cabinet face frames and doors. This does **not** weaken the finish or the strength of the joint.

Warping, Cracking & Proper Humidity

As a natural characteristic, all wood products contain moisture. Changes in temperature and humidity affect the moisture content in wood, which causes wood to expand or contract. Over time, this expansion or contraction can cause warping and joint cracks to occur, potentially causing permanent deformations in wood cabinetry.

To help prevent excessive movement in your wood cabinetry, we recommend maintaining a controlled environment of 70 to 75 degrees Fahrenheit and 30% to 50% humidity in the areas where your cabinetry is stored or installed. Environmental conditions **cannot** be controlled by the manufacturer and the effects of the movement in wood is **not** considered to be a manufacturing defect and will **not** be considered a reason for replacement.

Note: Wood products, including cabinet doors and face frames, are typically affected by environmental conditions. Color variation over time, as well as normal movement due to wood's expansion and contraction is part of the natural beauty of wood. This normal movement may cause hairline cracks in the finish surface at the joints and is considered a normal characteristic of semi-opaque or painted finishes. This will **not** be considered a reason for product replacement.

See the door section of this book for door specie information and descriptions

Stain Finish Process

Stain is applied and brush-wiped to desired color. Next, sealer is applied to protect the finish and minimize warping and cracking of the hardwood. Sealer is then sanded to develop a bonding surface for the topcoating process. As a final step, a heat activated topcoat is applied to provide a beautiful and durable furniture finish. Finish availability varies by door style.

Stain

Available as standard

		WOOD SPECIES
Finish	Code	Birch
Boardwalk	BWNON	❖
Pecan	PCNON	❖
Steel Grey	SGNON	❖
Twilight	TWNON	❖

Grey color coding indicates new product, size or code.

Paint Finish Process

Painted finishes feature rich, beautiful color while allowing some of the natural beauty of the wood to show.

Several coats of rich, semi-opaque paint coat the wood or engineered substrate using an automated application process.

Natural wood characteristics such as gum pockets, streaks and pin knots may be visible, particularly with some of our lighter paints. These characteristics tend to be more pronounced on the backs of our doors and drawers.

Since wood naturally expands and contracts, you may see hairline separation in the finish surface at the joints. Joint lines are normal and do **not** affect the strength of the door's construction.

Finish availability varies by door style.

Note: Self-cleaning ovens generate high temperatures which can cause discoloration of painted finishes. To minimize risk, it is recommended that you open doors and drawers adjacent to the oven during cleaning cycles.

Paint

Available with a 12% upcharge

		WOOD SPECIES
Finish	Code	Birch
Cotton	CTNON	●
Shale	SENON	●

Laminate - Wrapped Process

Door rails and stiles are individually wrapped with laminate; ends of door stiles are edge banded. Slab drawer fronts are medium density fiberboard (MDF) core with laminate wrap and edge banded along side edges. The cabinetry face frame features solid hardwood finished to match the wrapped doors and drawer fronts. While great care has been taken to match the face frame to the doors and drawer fronts, texture and color variations can be expected. Prolonged exposure to tobacco smoke will discolor wrapped finishes, and this side effect is **not** covered under warranty. Finish availability varies by door style.

Note: Self-cleaning ovens generate high temperatures which can cause discoloration of laminated finishes. To minimize risk, it is recommended that you open doors and drawers adjacent to the oven during cleaning cycles.

Laminate

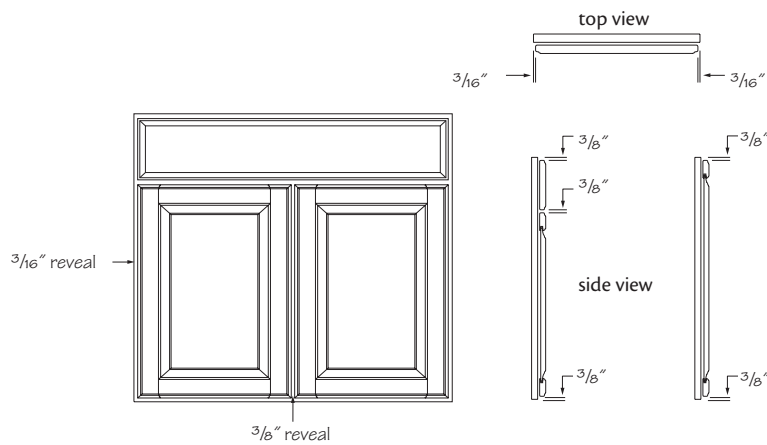
Available as standard

		WOOD SPECIES
Finish	Code	Laminate
Grey	GRNON	❖
White	WHNON	❖

Notes

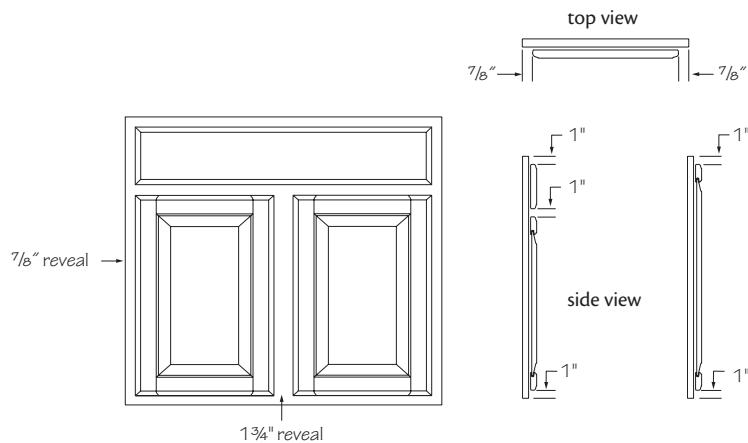
Cabinet Specifications

Full Overlay - Concealed Hinges



- Full Overlay doors leave $3/16$ " of the cabinet's face frame exposed on either side of the doors and $3/8$ " exposed between doors
- Butt door cabinets have $1/8$ " reveal between doors
- Nickel-finished self-closing hinges. Adjustable six ways for perfect alignment
- SoftAction functionality integrated on most cabinets, allows doors to close softly and quietly
- The reveals shown here may vary slightly on some cabinets due to actual door/drawer front sizes used
- **Note:** Door styles with square outside edges are unable to be opened simultaneously on adjacent cabinets because the doors will rub together. This is a common occurrence due to the sizing of full overlay doors

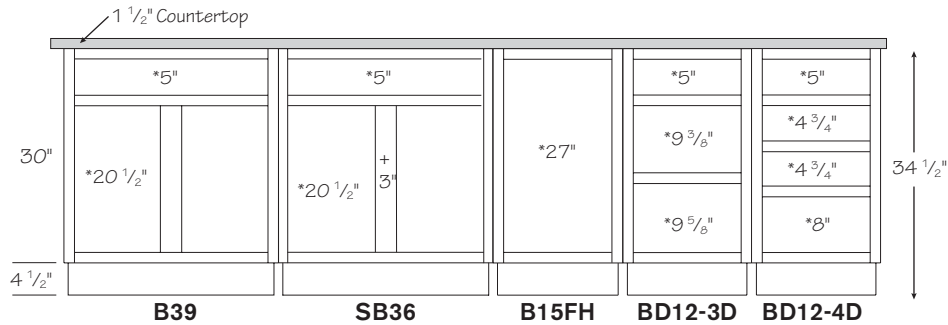
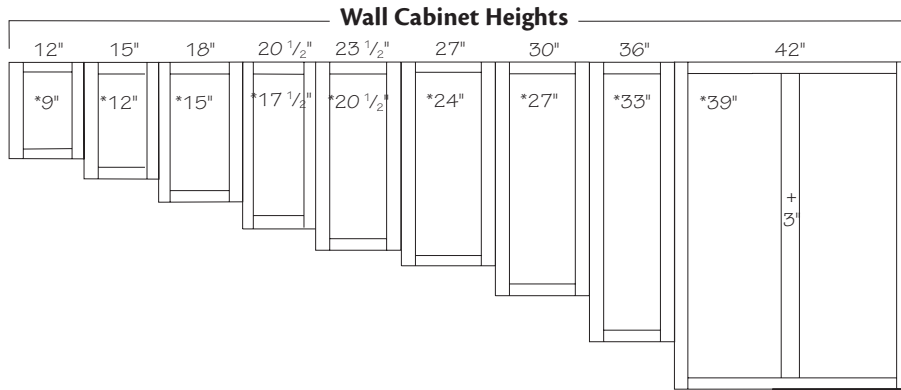
Traditional Overlay - Concealed Hinges



- Traditional Overlay doors leave $7/8$ " of the cabinet's face frame exposed on either side of the doors and $1\ 3/4$ " exposed between doors
- Butt door cabinets have $1/8$ " reveal between doors
- Nickel-finished self-closing hinges. Adjustable six ways for perfect alignment
- SoftAction functionality integrated on most cabinets, allows doors to close softly and quietly
- The reveals shown here may vary slightly on some cabinets due to actual door/drawer front sizes used

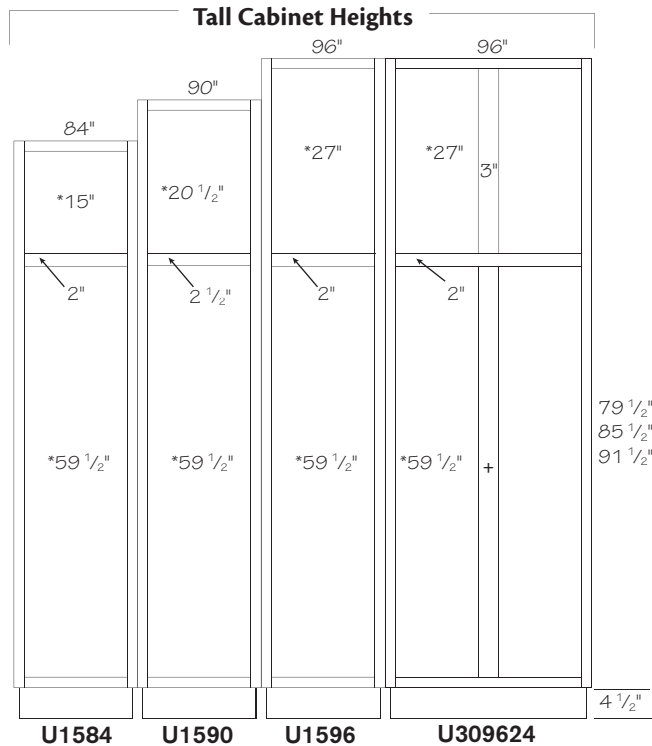
Wall and Base Frame Dimensions

- Vertical opening sizes are preceded by an asterisk (*)
- Stiles and rails are 1 1/2" wide unless otherwise noted
- Unless otherwise noted, depth of cabinets excludes doors
- 3" wide vertical stiles divide double door cabinets, + indicates stiles are removed on butt door cabinets



Tall Frame Dimensions

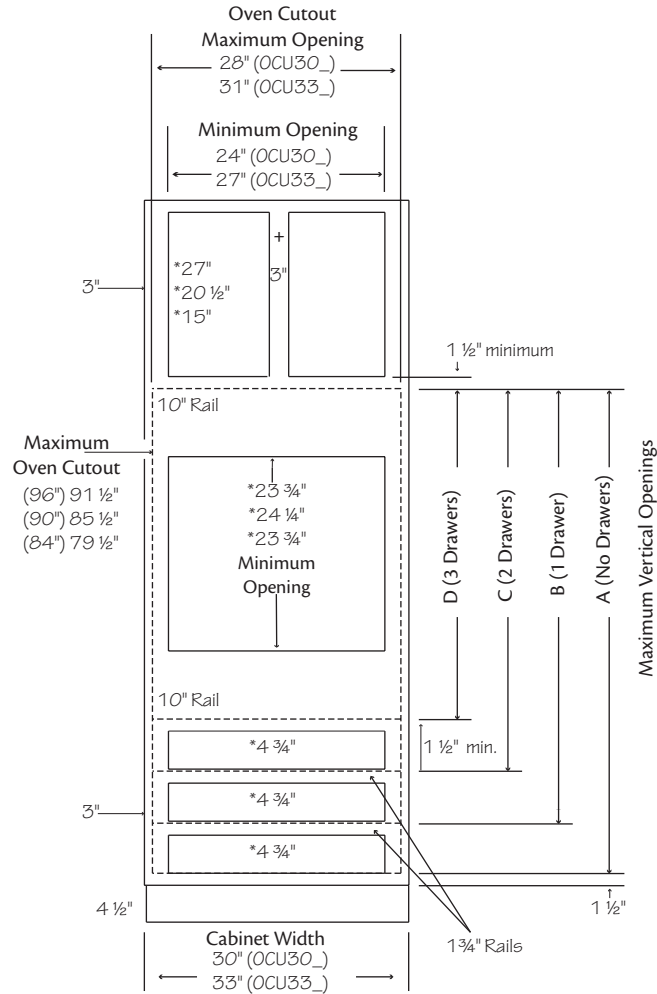
- Vertical opening sizes are preceded by an asterisk (*)
- Stiles and rails are 1 1/2" wide unless otherwise noted
- Unless otherwise noted, depth of cabinets excludes doors
- 3" wide vertical stiles divide double door cabinets, + indicates stiles are removed on butt door cabinets



Oven Cabinet Universal Frame Dimensions

- Vertical opening sizes are preceded by an asterisk (*)
- Stiles and rails are 1 1/2" wide unless otherwise noted
- Unless otherwise noted, depth of cabinets excludes doors
- OCU Cabinets have 3" wide trimmable full-length vertical stiles that provide opening width adjustment
- Substitute "_" with cabinet's height
- 3" wide vertical stiles divide double door cabinets, + indicates stiles are removed on butt door cabinets

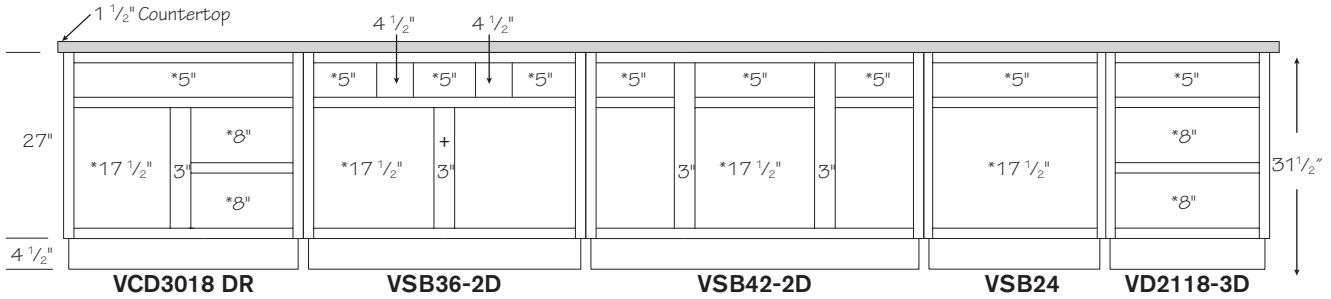
Oven Cabinet Universal (OCU)



Maximum Vertical Openings for Oven				
Cabinet Height	A	B	C	D
84"	60"	53 3/4"	47 1/4"	40 3/4"
90"	60 1/2"	54 1/4"	47 3/4"	41 1/4"
96"	60"	53 3/4"	47 1/4"	40 3/4"

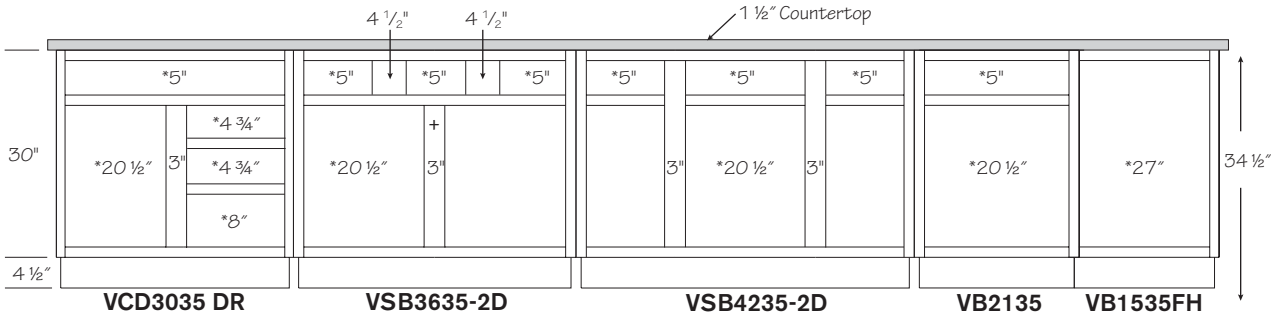
31 1/2" Vanity Frame Dimensions

- Vertical opening sizes are preceded by an asterisk (*)
- Stiles and rails are 1 1/2" wide unless otherwise noted
- Unless otherwise noted, depth of cabinets excludes doors
- 3" wide vertical stiles divide double door cabinets, + indicates stiles are removed on butt door cabinets



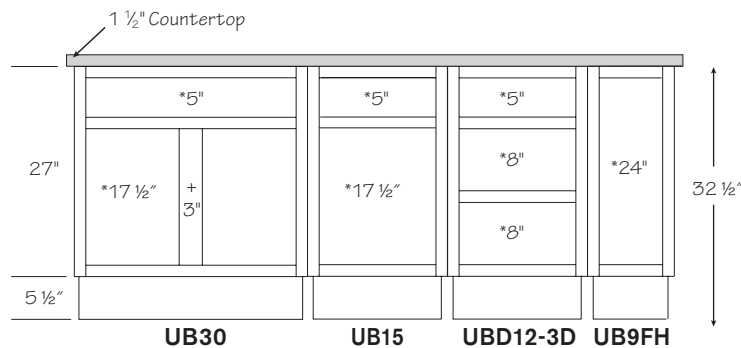
34 1/2" Vanity Frame Dimensions

- Vertical opening sizes are preceded by an asterisk (*)
- Stiles and rails are 1 1/2" wide unless otherwise noted
- Unless otherwise noted, depth of cabinets excludes doors
- 3" wide vertical stiles divide double door cabinets, + indicates stiles are removed on butt door cabinets



Universal Frame Dimensions

- Vertical opening sizes are preceded by an asterisk (*)
- Stiles and rails are 1 1/2" wide unless otherwise noted
- Unless otherwise noted, depth of cabinets excludes doors
- 3" wide vertical stiles divide double door cabinets, + indicates stiles are removed on butt door cabinets



Construction Options

Construction Options and Modifications

- ❖ Included as standard
 - Available with an upcharge
 - ☆ Available with exceptions
- (Blank) **Not** available

SSS	Construction	-----	⑦
SDS	Construction	-----	⑦
09	Depth Modification	----	⑩b
12	Depth Modification	----	⑩b
15	Depth Modification	----	⑩b
18	Depth Modification	----	⑩b
21	Depth Modification	----	⑩b
24	Depth Modification	----	⑩b
HDS	Half Depth Shelf	-----	⑩d
FDS	Full Depth Shelf	-----	⑩d
FT	Standard Full Width Trays	-----	⑩d
ST	Standard Trays	-----	⑩d
CFO	Cabinet Front Only	----	⑩g
CSO	Case Only	-----	⑩g
FRM	Frame Only	-----	⑩g

Material dimensions may vary slightly based upon lumber industry standards. Specifications subject to change without notice.

What Is In Some Of Our Plywood?

Multiple layers of wood materials, including wood veneers and medium density fiberboard (MDF), are used to create a hybrid product containing the following benefits:

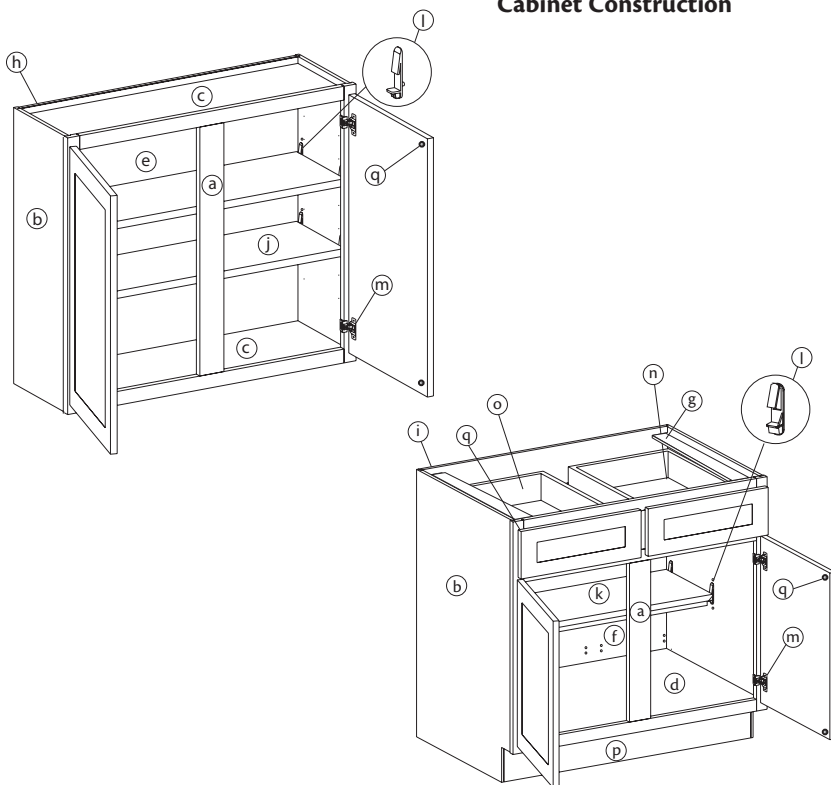
- Improved Strength and Finish Quality: Reduces expansion or contraction, which is better for a smooth, quality finish. This process also produces a more rigid product.
- Environmentally Friendly: Compliant with CARB II and EPA TSCA Title VI standards. CARB (California Air Resource Board) and TSCA (Toxic Substance Control Act) are regulations for reduced formaldehyde emissions from composite wood.

Regardless of the wood material used in the various applications of our Plywood, you can feel confident that the highest quality materials available are always used to help ensure durable and long-lasting cabinets.

Note: According to the Department of Commerce, the core of hardwood and decorative plywood consists of a layer or layers of one or more material(s) that are situated between the face and back veneers. The core may be composed of a range of materials, including but not limited to veneers, particleboard, engineered wood and medium density fiberboard (MDF).



Cabinet Construction



- a. Face Frames
- b. End Panels
- c. Wall and Tall Tops and Bottoms
- d. Base and Vanity Bottoms
- e. Wall Backs
- f. Tall, Base and Vanity Backs
- g. Base and Vanity I-Beam support
- h. Wall and Tall Hang Rails
- i. Base and Vanity Hang Rails
- j. Wall and Tall Shelves
- k. Base Shelves
- l. Shelf Supports
- m. Hinges
- n. Drawer Guides
- o. Drawer Cores
- p. Base and Vanity Toe Board Backers
- q. Door and Drawer Bumpers

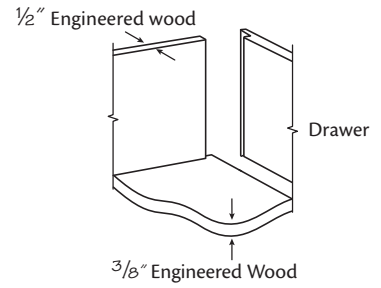
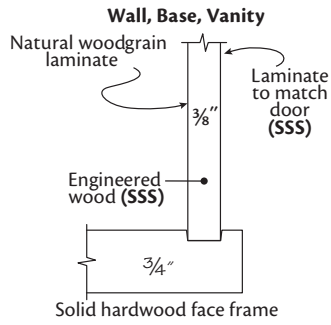
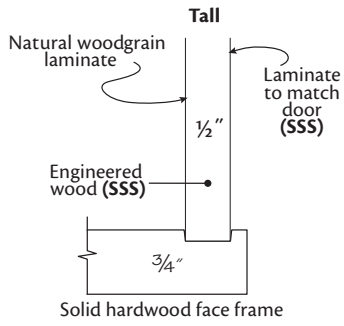
Construction Options Chart

Construction Option Chart				
	Standard Construction (SSS)	(SSS) Details	Standard Construction with Dovetail Drawers (SDS)	(SDS) Details
Face Frame	Solid Hardwood			
Wall, Base and Vanity End Panels	3/8" Engineered Wood	Ext. Finish: laminate to match door and frame Int. Finish: natural woodgrain laminate	3/8" Engineered Wood	Ext. Finish: laminate to match door and frame Int. Finish: natural woodgrain laminate
Tall End Panels	1/2" Engineered Wood		1/2" Engineered Wood	
Wall Tops and Bottoms	3/8" Engineered Wood	Ext. Finish: natural woodgrain laminate Int. Finish: natural woodgrain laminate	3/8" Engineered Wood	Ext. Finish: natural woodgrain laminate Int. Finish: natural woodgrain laminate
Tall Tops and Bottoms	1/2" Engineered Wood		1/2" Engineered Wood	
Base and Vanity Bottoms	3/8" Engineered Wood	Ext. Finish: unfinished Int. Finish: natural woodgrain laminate	3/8" Engineered Wood	Ext. Finish: unfinished Int. Finish: natural woodgrain laminate
Wall Backs	3/8" Engineered Wood	Ext. Finish: unfinished Int. Finish: natural woodgrain laminate	3/8" Engineered Wood	Ext. Finish: unfinished Int. Finish: natural woodgrain laminate
Hang Rail	3/8" Engineered Wood		3/8" Engineered Wood	
Base and Vanity Backs	1/4" Engineered Wood		1/4" Engineered Wood	
Hang Rail	1/4" Engineered Wood		1/4" Engineered Wood	
Tall Backs	1/4" Engineered Wood		1/4" Engineered Wood	
Base and Vanity I-Beams	3/8" Engineered Wood			
Standard Shelves	1/2" Engineered Wood w/ Clear Polycarbonate Shelf Supports	15 lbs per sq ft 50 lb maximum load capacity	1/2" Engineered Wood w/ Clear Polycarbonate Shelf Supports	15 lbs per sq ft 50 lb maximum load capacity
Shelves for Butt Door Cabinets	3/4" Engineered Wood w/ Clear Polycarbonate Shelf Supports	15 lbs per sq ft load capacity	3/4" Engineered Wood w/ Clear Polycarbonate Shelf Supports	15 lbs per sq ft load capacity
Hinges	Nickel-finished, self-closing, 6-way adjustable hinges with SoftAction functionality			
Drawer Guides	3/4 extension side-mount drawer slide system	75 lb load capacity	Full extension, concealed, soft-close undermount slide system	75 lb load capacity
Drawer Core/ Drawer Bottom	Core: 1/2" Engineered Wood Bottom: 3/8" Engineered Wood		Core: 5/8" Solid Hardwood Bottom: 3/16" Medium Density Fiberboard (MDF)	Drawers 30" and wider have 3/8" solid hardwood cleat for extra support
Toe Board Backer	3/8" Engineered Wood Toe Space - 4 1/2" tall (Universal is 5 1/2" tall) x *3 1/8" Deep			
Roll-Out Trays	1/2" Engineered or Solid Wood			

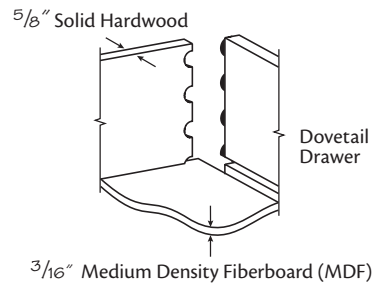
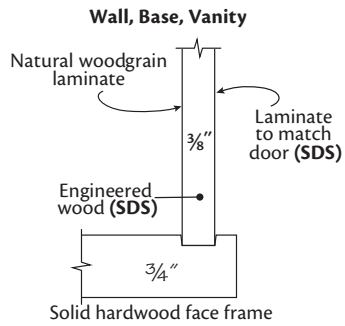
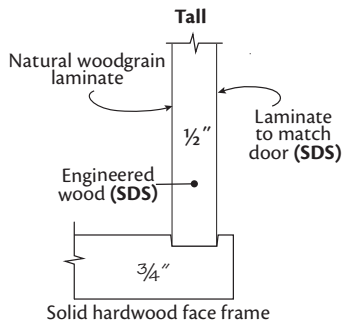
*Not including finished Toe Kick Cover

Construction Options Diagram

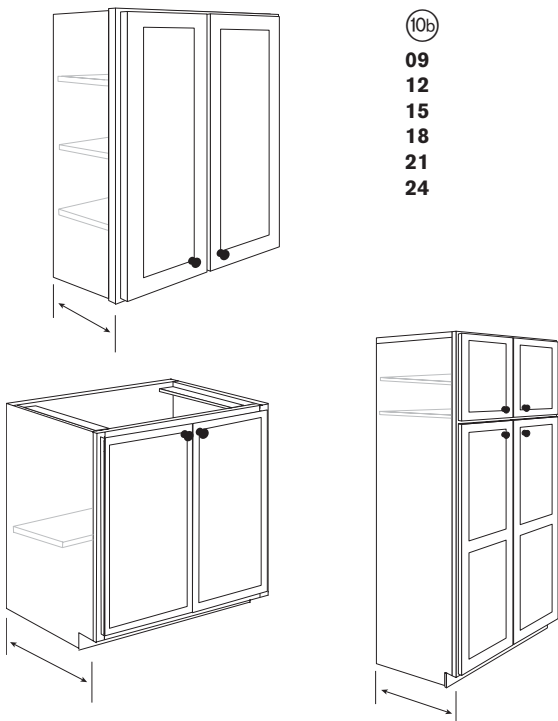
Standard Construction (SSS)



Standard Construction with Dovetail Drawers (SDS)



Depth Modification



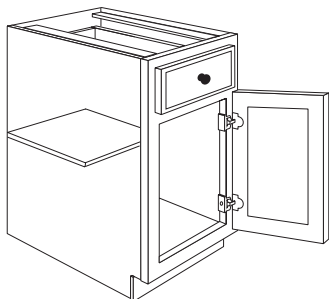
10b

- 09
- 12
- 15
- 18
- 21
- 24

- 25% upcharge. Increased Depth 15", 18", 21", and 24" Bookcase Cabinets add 50%
- Some cabinets can be reduced or increased in depth to fit design requirements. See specific cabinet information for availability
- When this option is selected, (CFO) and (FRM) is no longer available
- Select trays are unavailable with this option.
- Cabinets that normally have drawers ordered less than 18" deep will be replaced with a false drawer front only

SSS (7)	● 24 (10b)
SDS (7)	HDS (10d)
● 09 (10b)	FDS (10d)
● 12 (10b)	FT (10d)
● 15 (10b)	ST (10d)
● 18 (10b)	CFO (10g)
● 21 (10b)	CSO (10g)
	FRM (10g)

Half Depth Shelf



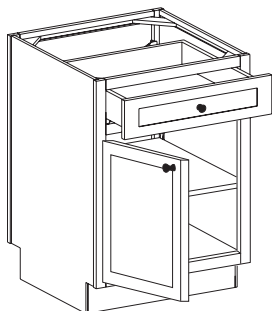
10d

HDS

- 1/2" engineered wood with natural woodgrain laminate. Note: shelves for butt door cabinets will be 3/4" thick.
- Standard shelf for most Base and Universal cabinets
- Half-depth shelves in Base cabinets 30" wide and wider have a matching full-length support apron secured to the underside near the front edge for additional support. Shelves are designed to support 15 lbs. per square foot, unable to exceed 50 lbs. per shelf

SSS (7)	● 24 (10b)
SDS (7)	❖ HDS (10d)
09 (10b)	FDS (10d)
12 (10b)	FT (10d)
15 (10b)	ST (10d)
18 (10b)	CFO (10g)
21 (10b)	CSO (10g)
	FRM (10g)

Full Depth Shelf



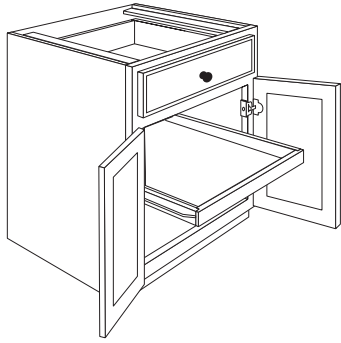
10d

FDS

- 1/2" engineered wood with natural woodgrain laminate
- Only available for Peninsula Base cabinets

SSS (7)	● 24 (10b)
SDS (7)	HDS (10d)
09 (10b)	❖ FDS (10d)
12 (10b)	FT (10d)
15 (10b)	ST (10d)
18 (10b)	CFO (10g)
21 (10b)	CSO (10g)
	FRM (10g)

Standard Full-Width Trays



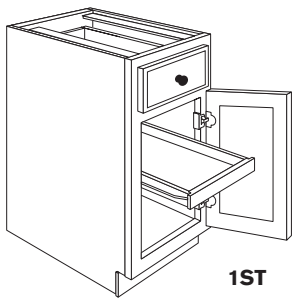
10d

1FT

- Standard tray spans the full-width of cabinet
- Standard trays sides and back are 1/2" thick engineered wood with 3/8" thick engineered wood bottom, natural wood grain laminate. Fronts are 3/4" thick solid hardwood
- Available in select Base cabinets
- Natural woodgrain laminate
- 3/4 extension side mount glide
- 75 lbs. capacity
- Shelves are omitted from cabinets when roll-out tray options are selected
- **Note:** Unavailable on cabinets reduced to 12" or 15" deep

SSS (7)	24 (10b)
SDS (7)	HDS (10d)
09 (10b)	FDS (10d)
12 (10b)	● FT (10d)
15 (10b)	ST (10d)
18 (10b)	CFO (10g)
21 (10b)	CSO (10g)
	FRM (10g)

Standard Trays

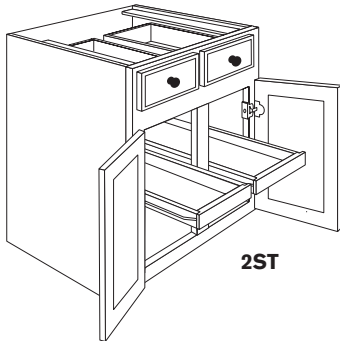


10d

1ST
2ST

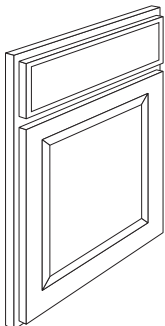
- Standard trays sides and back are 1/2" thick engineered wood with 3/8" thick engineered wood bottom, natural wood grain laminate. Fronts are 3/4" thick solid hardwood
- Available for most Base and Universal cabinets
- Natural woodgrain laminate
- 3/4 extension side mount glide
- 75 lbs. capacity
- Shelves are omitted from cabinets when roll-out tray options are selected
- **Note:** Unavailable on cabinets reduced to 12" or 15" deep

SSS (7)	24 (10b)
SDS (7)	HDS (10d)
09 (10b)	FDS (10d)
12 (10b)	FT (10d)
15 (10b)	● ST (10d)
18 (10b)	CFO (10g)
21 (10b)	CSO (10g)
	FRM (10g)



2ST

Cabinet Front Only



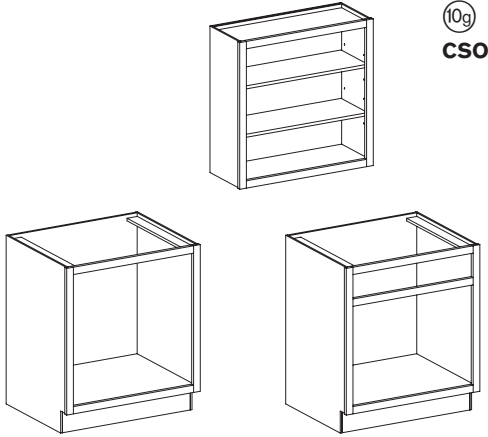
10g

CFO

- Available with a -20% downgrade
- Available on most cabinets, see individual models for exceptions
- Front frame, doors and drawer fronts **only**
- Does **not** include toe kick
- **Note:** Unavailable with any depth modifications, tray or shelf options

SSS (7)	24 (10b)
SDS (7)	HDS (10d)
09 (10b)	FDS (10d)
12 (10b)	FT (10d)
15 (10b)	ST (10d)
18 (10b)	● CFO (10g)
21 (10b)	CSO (10g)
	FRM (10g)

Case Only Option

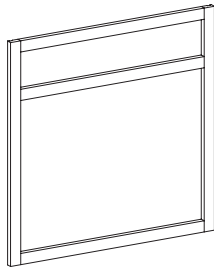


10g
CSO

- Available with a -20% downgrade
- (CSO) option on Walls: Includes shelves, if applicable; Interior and shelves are natural wood grain laminate; No doors or hinges
- (CSO) option on Base, Base Drawer, Vanity, Vanity Drawer, Tall and Universal: Includes cabinet box only; does not include doors, drawer fronts, drawer cores, hinges, shelves, trays and slides
- Available on most cabinets, see individual models for exceptions
- Cabinets with revolving shelves will ship with revolving shelves; Base Corner Fixed Shelf will ship with fixed shelf

SSS 7	24 10b
SDS 7	HDS 10d
09 10b	FDS 10d
12 10b	FT 10d
15 10b	ST 10d
18 10b	CFO 10g
21 10b	● CSO 10g
	FRM 10g

Frame Only Option



10g
FRM

- Available with a -36% downgrade
- Face Frame only
- Does **not** include doors, drawer fronts, or hinges
- Available on most cabinets, see individual models for exceptions

SSS 7	24 10b
SDS 7	HDS 10d
09 10b	FDS 10d
12 10b	FT 10d
15 10b	ST 10d
18 10b	CFO 10g
21 10b	CSO 10g
	● FRM 10g

Wall Cabinets

Construction Options and Modifications

- ❖ Included as standard
 - Available with an upcharge
 - ☆ Available with exceptions
- (Blank) **Not** available

SSS	Construction	-----	⑦
SDS	Construction	-----	⑦
09	Depth Modification	----	⑩b
15	Depth Modification	----	⑩b
18	Depth Modification	----	⑩b
21	Depth Modification	----	⑩b
24	Depth Modification	----	⑩b
CFO	Cabinet Front Only	-----	⑩g
CSO	Case Only	-----	⑩g
FRM	Frame Only	-----	⑩g

Note: Standard wall cabinet box depth is 12" unless stated otherwise. Add door thickness with bumpers for total depth.

Caution: Installation of a wall cabinet 30" or wider requires additional support, such as attachment to a soffit, or support from below. Failure to provide additional support could result in collapse of the cabinet, serious personal injury, or property damage. Damage relating to failure to provide additional support is **not** covered by the limited warranty. See inside cover for warranty details

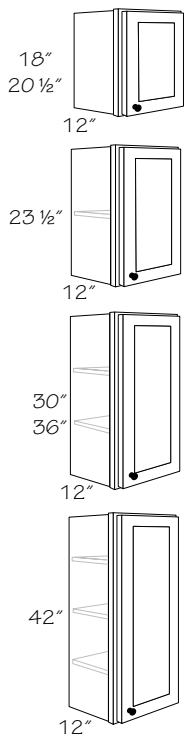
Any wall cabinet over 24" wide or 30" high with a depth greater than 12" and/or butt doors **must** be installed between two cabinets, a cabinet and a wall, or supported from below. Material dimensions may vary slightly based on lumber industry standards.

Cabinets with a "B" suffix have BUTT doors without a center stile

Specifications subject to change without notice.



Wall Single Door



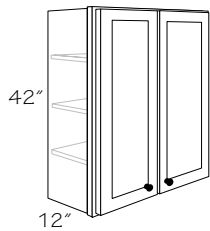
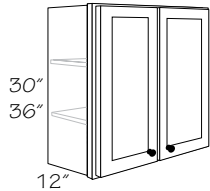
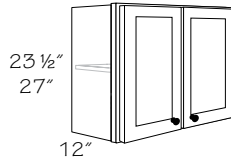
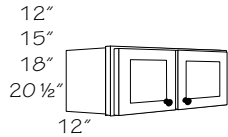
⑩a	⑩c	⑩a	⑩c
No shelf 18" High		Two shelves 36" High	
W1518	R or L	W936	R or L
W1818	R or L	W1236	R or L
W2418	R or L	† W1536	R or L
No shelf 20 1/2" High		† W1836	R or L
W2421	R or L	† W2136	R or L
One shelf 23 1/2" High		† W2436	R or L
W1824	R or L	Three shelves 42" High	
W2124	R or L	W942	R or L
W2424	R or L	† W1542	R or L
Two shelves 30" High		† W1842	R or L
W930	R or L	† W2142	R or L
W1230	R or L	† W2442	R or L
† W1530	R or L		
† W1830	R or L		
† W2130	R or L		
† W2430	R or L		

† Door size available with Accessory Hinged Prep for Glass Door (PG), in select door styles only

- Specify R or L for door hinging
- Adjustable shelves
- Accessory Hinged Prep for Glass Door (PG) is available in select door styles and sizes. For more information, see the Replacement Parts > Replacement Hardware section.
- Unless ordered as a Case Only (CSO), cabinets intending to receive Prep for Glass (PG) doors will ship with original, non-glass doors. If original non-glass doors are not required, cabinets should be ordered as Case Only (CSO) with the appropriate Prep for Glass (PG) size to be installed in the field

- ❖ **SSS** ⑦
- ❖ **SDS** ⑦
- **09** ⑩b
- **15** ⑩b
- **18** ⑩b
- **21** ⑩b
- **24** ⑩b
- **CFO** ⑩g
- **CSO** ⑩g
- **FRM** ⑩g

Wall Double Door



- (10a) No shelf
12" High
W3012
W3012B
W3612
W3612B
W3912
- No shelf
15" High
W3015
W3015B
W3315
W3615
W3615B
W3915
- No shelf
18" High
W3018
W3018B
W3318
W3618
W3618B
W3918
- No shelf
20 1/2" High
W3021
W3021B
W3621
W3621B
- One shelf
23 1/2" High
W3024
W3024B
W3324
W3624
W3624B
W3924
W4224
- One shelf
27" High
W3027
W3027B

- (10a) Two shelves
30" High
W2430D
W2730B
- † **W3030**
† **W3030B**
† **W3330**
† **W3630**
† **W3630B**
- W3930**
† **W4230**
† **W4530**
† **W4830**
- Two shelves
36" High
W2436D
W2736B
- † **W3036**
† **W3036B**
† **W3336**
† **W3636**
† **W3636B**
† **W3936**
† **W4236**
- Three shelves
42" High
W2442D
W2742B
- † **W3042**
† **W3042B**
† **W3342**
† **W3642**
† **W3642B**
† **W3942**
† **W4242**

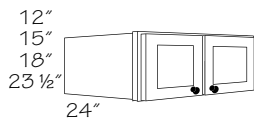
- Adjustable shelves
- Accessory Hinged Prep for Glass Door (PG) is available in select door styles and sizes. For more information, see the Replacement Parts > Replacement Hardware section
- Unless ordered as a Case Only (CSO), cabinets intending to receive Prep for Glass (PG) doors will ship with original, non-glass doors. If original non-glass doors are not required, cabinets should be ordered as Case Only (CSO) with the appropriate Prep for Glass(PG) size to be installed in the field

- ❖ **SSS** (7)
- ❖ **SDS** (7)
- **09** (10b)
- **15** (10b)
- **18** (10b)
- **21** (10b)
- **24** (10b)
- **CFO** (10g)
- **CSO** (10g)
- **FRM** (10g)

† Door size available with Accessory Hinged Prep for Glass Door (PG), in select door styles only

Grey color coding indicates new product, size or code

Wall Refrigerator



- (10a) 12" High
WR3612
WR3612B
WR3912
- 15" High
WR3315
WR3615
WR3615B
WR3915
- 18" High
WR3318
WR3618
WR3618B
WR3918
- 23 1/2" High
WR3324
WR3624
WR3624B
WR3924

- No shelf
- Designed for use over refrigerators where there is adequate clearance



Caution: Additional support is required. See installation sheet provided with the Framed Cabinet Installation Guide

- ❖ **SSS** (7)
- ❖ **SDS** (7)
- **09** (10b)
- **15** (10b)
- **18** (10b)
- **21** (10b)
- **24** (10b)
- **CFO** (10g)
- **CSO** (10g)
- **FRM** (10g)

Grey color coding indicates new product, size or code.

Wall Corner Cabinets

Construction Options and Modifications

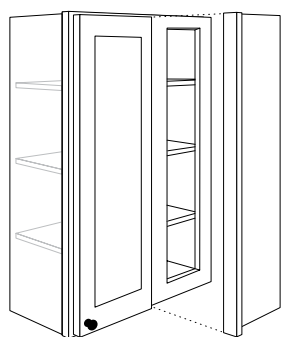
- ❖ Included as standard
 - Available with an upcharge
 - ☆ Available with exceptions
- (Blank) **Not** available

SSS	Construction	-----	⑦
SDS	Construction	-----	⑦
09	Depth Modification	----	⑩b
15	Depth Modification	----	⑩b
18	Depth Modification	----	⑩b
21	Depth Modification	----	⑩b
24	Depth Modification	----	⑩b
CFO	Cabinet Front Only	----	⑩g
CSO	Case Only	-----	⑩g
FRM	Frame Only	-----	⑩g

⑩a

WBC24/2730 BR

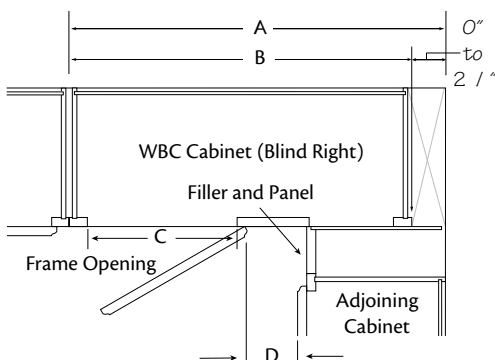
Wall Blind Corner Cabinet Information



Wall Blind Corner Cabinet
Blind Right (BR) shown

- Wall blind corner cabinets provide access to corner space and permits adjustability up to 2 7/8" max. to aid in kitchen cabinet layout. Consult chart for pull dimensions and min. wall space requirements
- Pulling the cabinet away from the corner (2 7/8" max.), and using the supplied filler and panel provides clearance for opening doors when hardware is used
- BR or BL indicates blind end of cabinet. Please specify.
- Door hinged on same side as blind
- Cabinets may be changed from right to left blind by inverting cabinet.
- **Note:** A 3" Wall Filler and Blind Panel is included with each WBC cabinet ordered, shipped unattached.

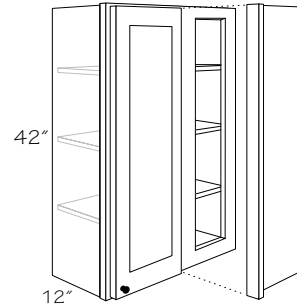
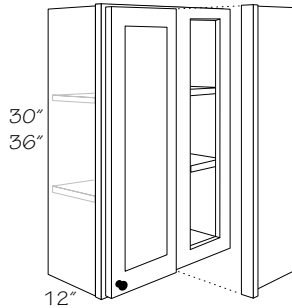
Wall Blind Corner



Wall Blind Corner	Traditional Overlay						Full Overlay					
	(A) Wall Space		(B) Cabinet Width	(C) Frame Opening	(D) Door Hardware Clearance		(A) Wall Space		(B) Cabinet Width	(C) Frame Opening	(D) Door Hardware Clearance	
	With No Pull	With Max Pull			With No Pull	With Max Pull	With No Pull	With Max Pull			With No Pull	With Max Pull
WBC24/27	24"	26 7/8"	24"	7 1/2"	1 1/2"	4 3/8"	24"	26 7/8"	24"	7 1/2"	13/16"	3 11/16"
WBC30/33	30"	32 7/8"	30"	13 1/2"	1 1/2"	4 3/8"	30"	32 7/8"	30"	13 1/2"	13/16"	3 11/16"
WBC33/36	33"	35 7/8"	33"	16 1/2"	1 1/2"	4 3/8"	33"	35 7/8"	33"	16 1/2"	13/16"	3 11/16"
WBC36/39	36"	38 7/8"	36"	19 1/2"	1 1/2"	4 3/8"	36"	38 7/8"	36"	19 1/2"	13/16"	3 11/16"
WBC39/42	39"	41 7/8"	39"	9", 10 1/2"	1 1/2"	4 3/8"	39"	41 7/8"	39"	9", 10 1/2"	13/16"	3 11/16"
WBC42/45	42"	44 7/8"	42"	10 1/2", 12"	1 1/2"	4 3/8"	42"	44 7/8"	42"	10 1/2", 12"	13/16"	3 11/16"
WBC48/51	48"	50 7/8"	48"	13 1/2", 15"	1 1/2"	4 3/8"	48"	50 7/8"	48"	13 1/2", 15"	13/16"	3 11/16"

Wall Blind Corner Single Door

Blind Right (BR) shown



10a

Two shelves
30" High

- † **WBC24/2730 BR or BL**
- † **WBC30/3330 BR or BL**
- † **WBC33/3630 BR or BL**
- † **WBC36/3930 BR or BL**

Two shelves
36" High

- † **WBC24/2736 BR or BL**
- † **WBC30/3336 BR or BL**
- † **WBC36/3936 BR or BL**

Three shelves
42" High

- † **WBC24/2742 BR or BL**
- † **WBC30/3342 BR or BL**
- † **WBC36/3942 BR or BL**

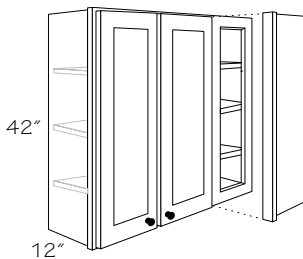
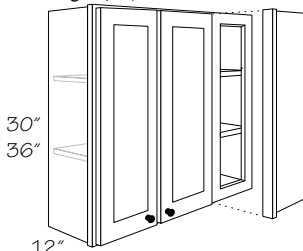
† Door size available with Accessory Hinged Prep for Glass Door (PG), in select door styles only

- Specify BR (Blind Right) or BL (Blind Left) position for blind
- Adjustable shelves
- Door hinged to center stile
- Do **not** pull cabinet more than 2 7/8" from corner
- Accessory Hinged Prep for Glass Door (PG) is available in select door styles and sizes. For more information, see the Replacement Parts > Replacement Hardware section
- Unless ordered as a Case Only (CSO), cabinets intending to receive Prep for Glass (PG) doors will ship with original, non-glass doors. If original non-glass doors are not required, cabinets should be ordered as Case Only (CSO) with the appropriate Prep for Glass(PG) size to be installed in the field
- Invertible for L or R blind corner
- **Note:** Blind Panel with 3" filler included, shipped unattached

- ❖ **SSS** (7)
- ❖ **SDS** (7)
- **09** (10b)
- **15** (10b)
- **18** (10b)
- **21** (10b)
- **24** (10b)
- **CFO** (10g)
- **CSO** (10g)
- **FRM** (10g)

Wall Blind Corner Double Door

Blind Right (BR) shown



10a

Two shelves
30" High

- † **WBC39/4230 BR or BL**
- † **WBC42/4530 BR or BL**
- † **WBC48/5130 BR or BL**

Two shelves
36" High

- † **WBC39/4236 BR or BL**
- † **WBC42/4536 BR or BL**

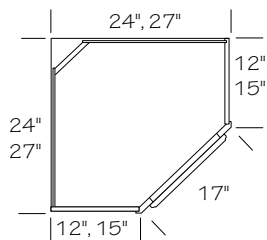
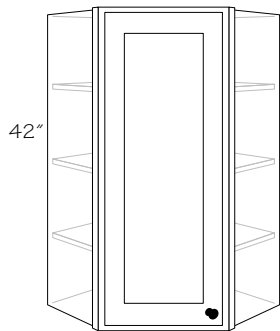
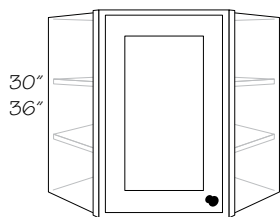
Three shelves
42" High

- † **WBC39/4242 BR or BL**
- † **WBC42/4542 BR or BL**

- Specify BR (Blind Right) or BL (Blind Left) position for blind
- Adjustable shelves
- Two different width doors; the narrower is located next to the blind panel
- Do **not** pull cabinet more than 2 7/8" from corner
- Invertible for L or R blind corner
- **Note:** Blind Panel with 3" filler included, shipped unattached

- ❖ **SSS** (7)
- ❖ **SDS** (7)
- **09** (10b)
- **15** (10b)
- **18** (10b)
- **21** (10b)
- **24** (10b)
- **CFO** (10g)
- **CSO** (10g)
- **FRM** (10g)

Wall Angle Single Door



10a

10c

10a

10c

Two shelves
30" High

† **WA2430 R or L** † **WA2436 R or L**
† **WA2730 R or L** † **WA2736 R or L**

Two shelves
36" High

Three shelves
42" High

† **WA2442 R or L**
† **WA2742 R or L**

† Door size available with Accessory Hinged Prep for Glass Door (PG), in select door styles only

- Specify R or L for door hinging
- Adjustable shelves
- Back corner removed for easy installation
- Full and Traditional overlay door widths are similar to avoid interference with adjacent cabinet doors
- Adjacent cabinets can be installed directly without fillers
- Accessory Hinged Prep for Glass Door (PG) is available in select door styles and sizes. For more information, see the Replacement Parts > Replacement Hardware section
- Unless ordered as a Case Only (CSO), cabinets intending to receive Prep for Glass (PG) doors will ship with original, non-glass doors. If original non-glass doors are not required, cabinets should be ordered as Case Only (CSO) with the appropriate Prep for Glass(PG) size to be installed in the field

❖ SSS 7

❖ SDS 7

09 10b

15 10b

18 10b

21 10b

24 10b

● CFO 10g

● CSO 10g

● FRM 10g

Wall Open Cabinets

Construction Options and Modifications

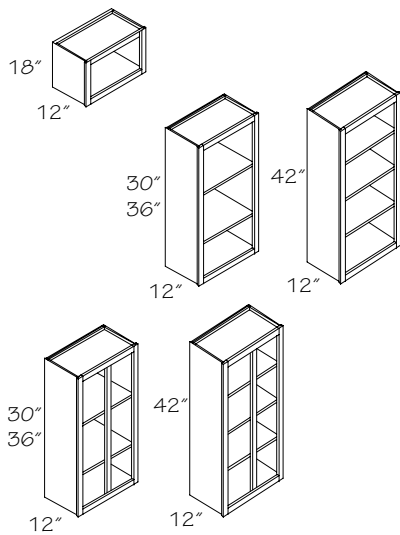
- ❖ Included as standard
 - Available with an upcharge
 - ☆ Available with exceptions
- (Blank) **Not** available

SSS	Construction	-----	(7)
SDS	Construction	-----	(7)
09	Depth Modification	-----	(10b)
15	Depth Modification	-----	(10b)
18	Depth Modification	-----	(10b)
21	Depth Modification	-----	(10b)
24	Depth Modification	-----	(10b)

Caution: Bookcases are typically subjected to extreme weight. Additional support is required. Wall hung applications **must** be limited to 15 lbs. per square foot of shelf area; **not** to exceed 50 lbs. per shelf.

Specifications subject to change without notice.

(10a)
BK3018



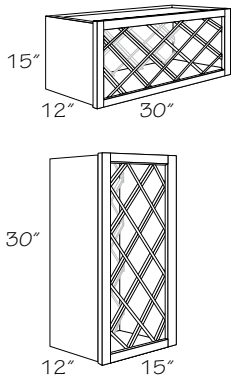
Bookcase Cabinets

- | | | | | | |
|-------|--|-------|--|-------|---|
| (10a) | No shelf
18" High
BK3018 | (10a) | Two shelves
36" High
† BK1536 | (10a) | With Frame
Center Stile
Two shelves
30" High
† BK3030D |
| | Two shelves
30" High
† BK1530 | | † BK1836 | | † BK3630D |
| | † BK1830 | | † BK2136 | | Two shelves
36" High
† BK3036D |
| | † BK2130 | | † BK2436 | | † BK3636D |
| | † BK2430 | | † BK3036 | | Three shelves
42" High
† BK1542 |
| | † BK3030 | | † BK3636 | | † BK1842 |
| | † BK3630 | | | | † BK2142 |
| | | | | | † BK2442 |
| | | | | | † BK3042 |
| | | | | | † BK3642 |

- Adjustable shelves
- 3/4" thick shelves
- Matching interior
- Vertical wood grain back panel; except for painted finishes
- Includes low profile clear polycarbonate shelf supports in addition to hold-down style supports used for shipping
- Accessory Hinged Prep for Glass Door (PG) is available in select door styles and sizes. For more information, see the Replacement Parts > Replacement Hardware section

❖ SSS (7)
❖ SDS (7)
● 09 (10b)
● 15 (10b)
● 18 (10b)
● 21 (10b)
● 24 (10b)

† Door size available with Accessory Hinged Prep for Glass Door (PG), in select door styles only
Grey color coding indicates new product, size or code.



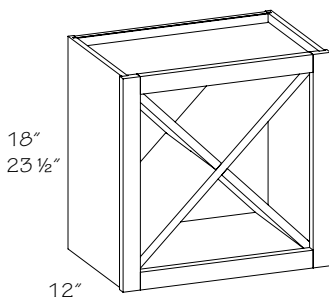
Wall Lattice

- | | | |
|-------|---|------------|
| (10a) | Horizontal
15" High
WL3015 | 11 Bottles |
| | Vertical
30" High
WL1530 | 11 Bottles |

- Matching laminate interior
- Lattices are finished on one side; unable to be removed
- Vertical wood grain back panel; except for painted finishes
- Lattice in painted finishes are painted hardwood
- 4" x 4" bottle openings

❖ SSS (7)
❖ SDS (7)
● 09 (10b)
● 15 (10b)
● 18 (10b)
● 21 (10b)
● 24 (10b)

Wine Storage Cabinet



- | | |
|-------|----------------------------------|
| (10a) | WSC1818
WSC2424 |
|-------|----------------------------------|

- Matching interior
- Requires additional support. Installation between two cabinets or cabinet and wall recommended.
- Vertical wood grain back panel; except for painted finishes
- Cross member is unable to be removed

❖ SSS (7)
❖ SDS (7)
● 09 (10b)
● 15 (10b)
● 18 (10b)
● 21 (10b)
● 24 (10b)

Wall Appliance Cabinets

Construction Options and Modifications

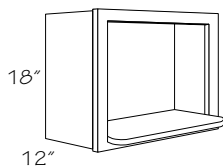
- ❖ Included as standard
 - Available with an upcharge
 - ☆ Available with exceptions
- (Blank) **Not** available

SSS Construction ----- ⑦
 SDS Construction ----- ⑦

⑩a

WMS301812

Wall Microwave Shelf



⑩a

12" Deep
WMS301812

- 3/4" thick shelf extends 3 25/32" beyond face frame of cabinet ❖ SSS ⑦
- Matching interior ❖ SDS ⑦
- Shelf shipped unattached for easier installation; mounting hardware included
- Vertical wood grain back panel; except for painted finishes
- Designed for freestanding style microwaves
- **Note:** Install between two cabinets or between cabinet and side wall

Opening Sizes

Cabinet	Width	Height	Depth (Shelf)
WMS301812	27"	14 1/4"	15"

Wall Accessories

Construction Options and Modifications

BR	Birch	-----	(2)
LM	Laminate	-----	(2)

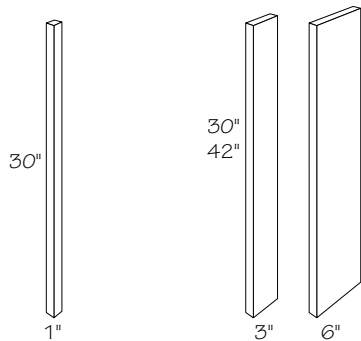
- ❖ Included as standard
- Available with an upcharge
- ☆ Available with exceptions

(Blank) **Not** available

(10a)

WEP30

Wall Filler



(10a)

- 1" Wide*
WF1-30
WF1-30-6
- 3" Wide*
WF3-30
WF3-30-6
WF3-42
WF3-42-6

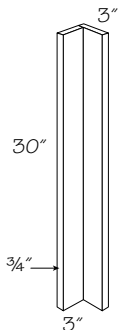
(10a)

- 6" Wide*
WF6-30
WF6-30-6
WF6-42
WF6-42-6

- 3/4" thick solid wood
- Painted hardwood supplied for painted and laminate finishes
- Finished on face surface only
- Offered individually or in quantities of 6 per carton (see codes ending in -6)

❖	BR	(2)
❖	LM	(2)

Wall Filler Corner



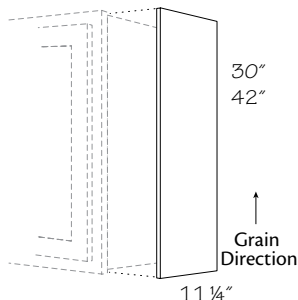
(10a)

WFC3-30

- 3" on each face
- 3/4" thick solid wood
- Painted hardwood supplied for painted and laminate finishes
- Finished on face surface only

❖	BR	(2)
❖	LM	(2)

Wall End Panel



(10a)

- 11 1/4" Wide Veneer*
- **WEP30**
 - **WEP30-10**
 - **WEP42**
 - **WEP42-10**
- 11 1/4" Wide Paper Laminate*
- **WEP30P**
 - **WEP30P-10**
 - **WEP42P**
 - **WEP42P-10**

■ Painted and laminate finishes are painted veneer

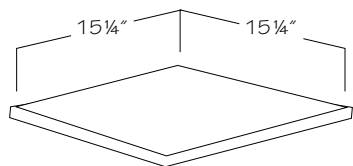
- Used to trim or flush out laminate exposed end of wall cabinet
- For right or left hand use
- Veneer: 3/16" thick panel, finished on one side; grain runs lengthwise
- Laminate: 1/8" thick panel, laminate on front side, back side unfinished
- 42" panels trimmable for 36" wall cabinets
- Offered individually or in quantities of 10 per carton (see codes ending in -10)

❖	BR	(2)
❖	LM	(2)

Wall Corner Closure

10a

WCC



- Easy to clean natural wood grain laminate; laminated two sides
- 1/2" thick engineered wood core

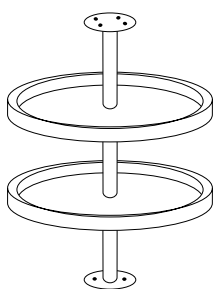
BR 2

LM 2

Lazy Susan Shelf Kit

10a

LS2



- Two 18" diameter white plastic independently revolving shelves
- Center post adjusts from 26" to 31" in height
- Designed to fit WA2430, WA2436, and WA2442 cabinets
- WA2436 and WA2442 cabinets require top adjustable shelf to be installed for post mounting

BR 2

LM 2

Notes

Base Cabinets

Construction Options and Modifications

- ❖ Included as standard
 - Available with an upcharge
 - ☆ Available with exceptions
- (Blank) **Not** available

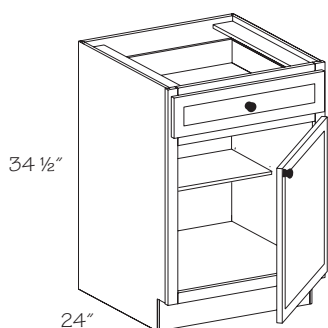
- SSS Construction ----- (7)
- SDS Construction ----- (7)
- 12 Depth Modification ----- (10b)
- 15 Depth Modification ----- (10b)
- 18 Depth Modification ----- (10b)
- 21 Depth Modification ----- (10b)
- HDS Half Depth Shelf ----- (10d)
- FDS Full Depth Shelf ----- (10d)
- FT Standard Full Width Trays - (10d)
- ST Standard Trays ----- (10d)
- CFO Cabinet Front Only ----- (10g)
- CSO Case Only ----- (10g)
- FRM Frame Only ----- (10g)

Cabinets with a "B" suffix have BUTT doors without a center stile

Material dimensions may vary slightly based on lumber industry standards. Specifications subject to change without notice.



Base Single Door

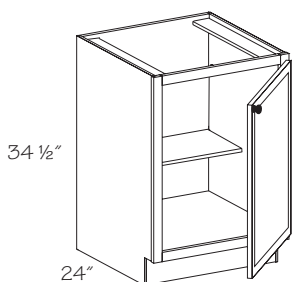
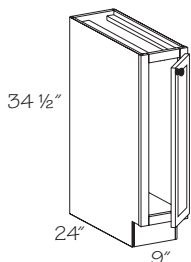


- (10a) (10c) (10d)
- B12 R or L HDS**
- B15 R or L HDS**
- B18 R or L HDS**
- B21 R or L HDS**
- B24 R or L HDS**

- Specify R or L for door hinging
- Standard height top drawer
- Back panel is pre-drilled for accessory Base Tray Kits; only available on 21" and 24" deep cabinets
- ☆ Tray options are available for cabinets with select depth modifications. See Construction Options for specifics
- ☆ **Note:** When depth is reduced to 12" or 15", drawers become false fronts
- **Note:** For tray or shelf options for select cabinets, replace HDS with the option code of your choice

❖ SSS (7)	❖ HDS (10d)
● SDS (7)	● FDS (10d)
☆ 12 (10b)	☆ FT (10d)
☆ 15 (10b)	☆ ST (10d)
● 18 (10b)	● CFO (10g)
● 21 (10b)	● CSO (10g)
	● FRM (10g)

Base Single Door Full-Height



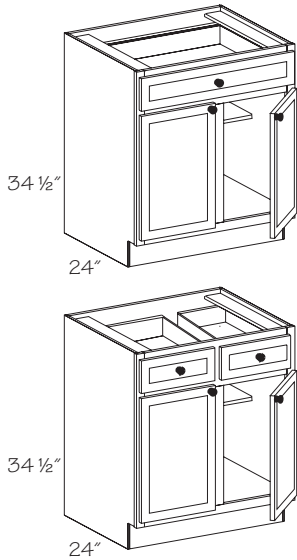
- (10a) (10c) (10d)
- ▲ **B9FH R or L**
- B12FH R or L HDS**
- B15FH R or L HDS**
- B18FH R or L HDS**
- B21FH R or L HDS**
- B24FH R or L HDS**

▲ Unavailable with tray or shelf options

- Specify R or L for door hinging
- Back panel is pre-drilled for accessory Base Tray Kits; only available on 21" and 24" deep cabinets

❖ SSS (7)	❖ HDS (10d)
❖ SDS (7)	● FDS (10d)
● 12 (10b)	● FT (10d)
● 15 (10b)	● ST (10d)
● 18 (10b)	● CFO (10g)
● 21 (10b)	● CSO (10g)
	● FRM (10g)

Base Double Door



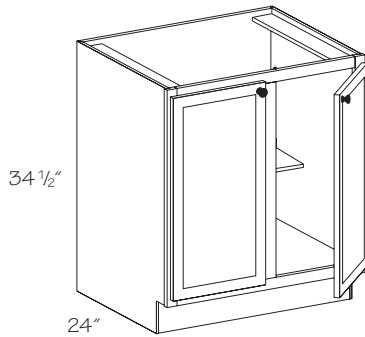
- | | | | |
|------------|-------|-------------|-------|
| (10a) | (10d) | (10a) | (10d) |
| One Drawer | | Two Drawers | |
| + B24D | HDS | + B42 | HDS |
| ■ B27B | HDS | + B45 | HDS |
| + B30 | HDS | + B48 | HDS |
| ■ B30B | HDS | | |
| + B33 | HDS | | |
| + B36 | HDS | | |
| ■ B36B | HDS | | |
| + B39 | HDS | | |

+ Standard Tray option only
 ■ Full Width Tray option only
 Grey color coding indicates new product, size or code.

- Standard height top drawers
- ☆ Tray options are available for cabinets with select depth modifications. See Construction Options for specifics
- Back panel is pre-drilled for accessory Base Tray Kits; only available on 21" and 24" deep cabinets
- ☆ **Note:** When depth is reduced to 12" or 15", drawers become false fronts
- **Note:** For tray or shelf options for select cabinets, replace HDS with the option code of your choice

❖ SSS (7)	❖ HDS (10d)
● SDS (7)	● FDS (10d)
☆ 12 (10b)	☆ FT (10d)
☆ 15 (10b)	☆ ST (10d)
● 18 (10b)	● CFO (10g)
● 21 (10b)	● CSO (10g)
	● FRM (10g)

Base Double Door Full-Height



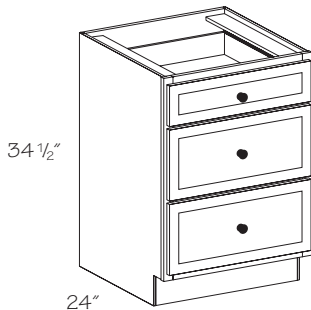
- | | | | |
|--------|-------|--------|-------|
| (10a) | (10d) | (10a) | (10d) |
| B27BFH | HDS | B36BFH | HDS |
| B30FH | HDS | B39FH | HDS |
| B30BFH | HDS | B42FH | HDS |
| B33FH | HDS | B48FH | HDS |
| B36FH | HDS | | |

Grey color coding indicates new product, size or code.

- Two full-height doors
- Back panel is pre-drilled for accessory Base Tray Kits; only available on 21" and 24" deep cabinets

❖ SSS (7)	❖ HDS (10d)
❖ SDS (7)	❖ FDS (10d)
● 12 (10b)	● FT (10d)
● 15 (10b)	● ST (10d)
● 18 (10b)	● CFO (10g)
● 21 (10b)	● CSO (10g)
	● FRM (10g)

Base Three Drawer

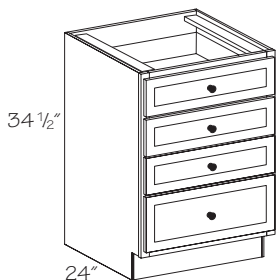


- | |
|-----------------------|
| (10a) |
| 3/4 Extension Drawer |
| BD12-3D |
| BD15-3D |
| BD18-3D |
| BD21-3D |
| BD24-3D |
| Full Extension Drawer |
| BD30-3D |
| BD36-3D |

- One standard height drawer on top
- Two deep drawers on bottom
- Cabinets BD12-3D to BD24-3D in SSS construction will have 3/4 extension epoxy side mount slides on all three drawers. SDS construction will have full-extension undermount soft-close slides on all three drawers
- Cabinets BD30-3D to BD36-3D in SSS construction will have standard 3/4 extension side mount slides on top drawer and full-extension ball bearing side mount slides on deep drawers. SDS construction will have full-extension undermount soft-close slides on all three drawers
- Cabinets BD30-3D to BD36-3D in SSS construction reduced depth to 18", will have all epoxy side mounted standard slides on all drawers
- **Note:** See frame dimensions in the Cabinet Specifications section for drawer opening heights

❖ SSS (7)	❖ HDS (10d)
● SDS (7)	● FDS (10d)
12 (10b)	12 (10b)
15 (10b)	15 (10b)
18 (10b)	18 (10b)
21 (10b)	21 (10b)
	● CFO (10g)
	● CSO (10g)
	● FRM (10g)

Base Four Drawer

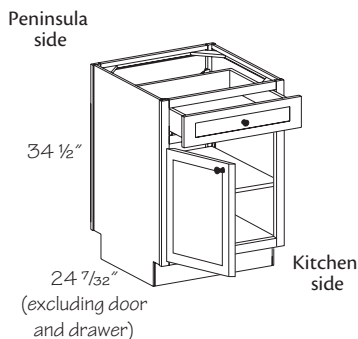


- | |
|---------|
| (10a) |
| BD12-4D |
| BD15-4D |
| BD18-4D |
| BD21-4D |
| BD24-4D |

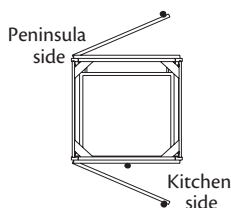
- Three standard height drawers
- One deep drawer on bottom
- **Note:** See frame dimensions in the Cabinet Specifications section for drawer opening heights

❖ SSS (7)	❖ HDS (10d)
● SDS (7)	● FDS (10d)
12 (10b)	12 (10b)
15 (10b)	15 (10b)
18 (10b)	18 (10b)
21 (10b)	21 (10b)
	● CFO (10g)
	● CSO (10g)
	● FRM (10g)

Peninsula Base Single Door



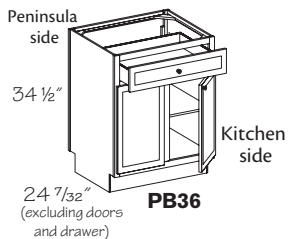
- (10a) **PB18** R or L **FDS**
- (10c) **PB24** R or L **FDS**
- (10d) **FDS**



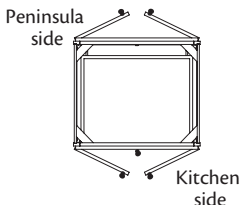
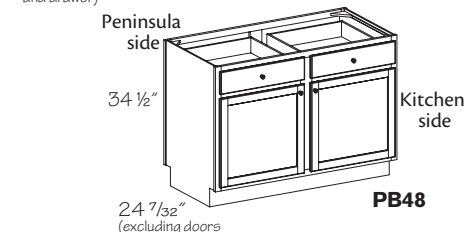
- Specify R or L for door hinging on kitchen side
- One standard height full-width drawer opens on kitchen side
- Peninsula side has one full-width false drawer front above door
- Each side has one door hinged at the same end of cabinet
- **Note:** Select (FDS) option
- **Note:** Because these cabinets do not have back panels, it is **not** recommended to use Peninsula Base cabinets in island applications. Failure to follow this limitation could cause serious injury and will void the product warranty

❖ SSS (7)	HDS (10d)
● SDS (7)	❖ FDS (10d)
12 (10b)	FT (10d)
15 (10b)	ST (10d)
18 (10b)	CFO (10g)
21 (10b)	● CSO (10g)
	FRM (10g)

Peninsula Base Double Door



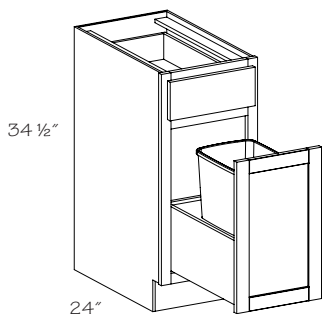
- (10a) **PB36** **FDS**
- (10d) **PB48** **FDS**



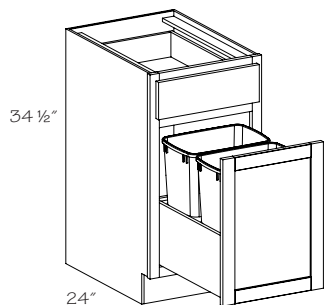
- Kitchen side has standard height full-width drawer(s); Peninsula side has false drawer front(s) above door
- Each side has two doors
- **Note:** Select (FDS) option
- **Note:** Because these cabinets do not have back panels, it is **not** recommended to use Peninsula Base cabinets in island applications. Failure to follow this limitation could cause serious injury and will void the product warranty

❖ SSS (7)	HDS (10d)
● SDS (7)	❖ FDS (10d)
12 (10b)	FT (10d)
15 (10b)	ST (10d)
18 (10b)	CFO (10g)
21 (10b)	● CSO (10g)
	FRM (10g)

Base Wastebasket



BWBT15



BWBT18

- (10a) **BWBT15**
 - BWBT18**
- Grey color coding indicates new product, size or code.*

- Top drawer is standard construction, deep bottom drawer is solid wood dovetail construction
- Deep bottom drawer interior height is 8 5/8"
- Door is attached to wastebasket drawer box assembly using 4" brackets and is pulled open to access basket(s)
- Deep bottom drawer includes a plywood deck with cut-outs for the waste basket(s); deck holds waste basket(s) in place and allows for easy removal for emptying and cleaning
- Deep drawer box slides on soft-close full-extension glides
- 32 qt. basket size is 9 5/16" x 13 3/4" x 17 3/4" tall
- BWBT15 includes one wastebasket
- BWBT18 includes two wastebaskets

❖ SSS (7)	HDS (10d)
● SDS (7)	❖ FDS (10d)
12 (10b)	FT (10d)
15 (10b)	ST (10d)
18 (10b)	CFO (10g)
21 (10b)	● CSO (10g)
	FRM (10g)

Base Sink and Appliance Cabinets

Construction Options and Modifications

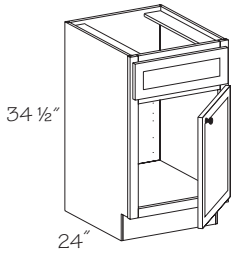
- ❖ Included as standard
 - Available with an upcharge
 - ☆ Available with exceptions
- (Blank) **Not** available

SSS	Construction	-----	⑦
SDS	Construction	-----	⑦
12	Depth Modification	-----	⑩b
15	Depth Modification	-----	⑩b
18	Depth Modification	-----	⑩b
21	Depth Modification	-----	⑩b
CFO	Cabinet Front Only	-----	⑩g
CSO	Case Only	-----	⑩g
FRM	Frame Only	-----	⑩g

Cabinets with a "B" suffix have BUTT doors without a center stile
 Material dimensions may vary slightly based on lumber industry standards.
 Specifications subject to change without notice.

⑩a
SB12

⑩c
L

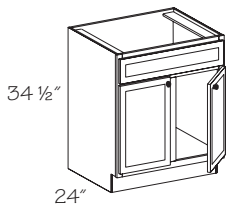


Sink Base Single Door

- | | |
|-------------|---------------|
| ⑩a | ⑩c |
| SB12 | R or L |
| SB15 | R or L |
| SB18 | R or L |
| SB21 | R or L |
| SB24 | R or L |

- Specify R or L for door hinging
- No shelf
- One full-width false drawer front
- Back panel is pre-drilled for accessory Base Tray Kits; only available on 21" and 24" deep cabinets

- ❖ **SSS** ⑦
- ❖ **SDS** ⑦
- 12 ⑩b
- 15 ⑩b
- 18 ⑩b
- 21 ⑩b
- **CFO** ⑩g
- **CSO** ⑩g
- **FRM** ⑩g



Sink Base Double Door

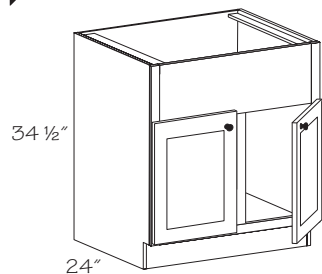
- | | |
|-------------------------|--------------------------|
| ⑩a | ⑩a |
| <i>One drawer front</i> | <i>Two drawer fronts</i> |
| SB24D | SB42 |
| SB27B | SB45 |
| SB30 | SB48 |
| SB30B | |
| SB33 | |
| SB36 | |
| SB36B | |
| SB39 | |

- No shelf
- False drawer front(s)
- Back panel is pre-drilled for accessory Base Tray Kits; only available on 21" and 24" deep cabinets

- ❖ **SSS** ⑦
- ❖ **SDS** ⑦
- 12 ⑩b
- 15 ⑩b
- 18 ⑩b
- 21 ⑩b
- **CFO** ⑩g
- **CSO** ⑩g
- **FRM** ⑩g

Grey color coding indicates new product, size or code.

New



Deep Sink Base

- ⑩a
DSB36

Grey color coding indicates new product, size or code.

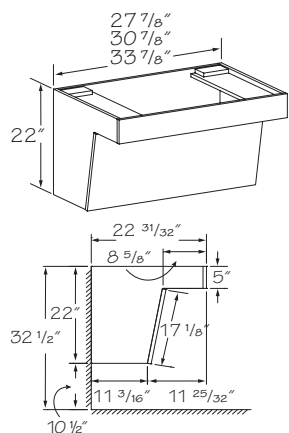
- No shelf
- Designed for use with "farm/farmhouse" style sinks
- Trimmable face frame rail across top
- Face frame center stile included to provide extra sink support
- Back panel is pre-drilled for optional accessory Tray Kits



Be sure to follow sink manufacturer specifications and instructions to ensure proper fit. Make sure cabinet is at least 4 1/2" wider than the outside sink dimensions

- ❖ **SSS** ⑦
- ❖ **SDS** ⑦
- 12 ⑩b
- 15 ⑩b
- 18 ⑩b
- 21 ⑩b
- **CFO** ⑩g
- **CSO** ⑩g
- **FRM** ⑩g

Maximum Trimmable Opening Sizes		
Cabinet	Max Width	Max Height
DSB36	31 1/2"	9 1/2"



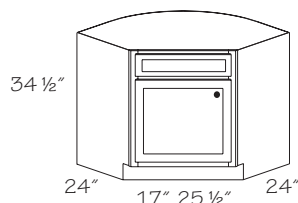
Base Floating Plumbing Skirt

10a
BFPS30
BFPS33
BFPS36

- ☆ Cabinet components are constructed of plywood
- ☆ Regardless of construction option, model is constructed the same

Warning: Floating plumbing unit must be securely attached to wall studs per the provided installation sheets

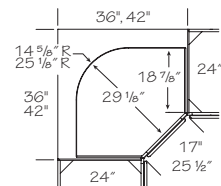
- ☆ SSS (7)
- ☆ SDS (7)
- 12 (10b)
- 15 (10b)
- 18 (10b)
- 21 (10b)
- CFO (10g)
- CSO (10g)
- FRM (10g)



Sink Base Angle

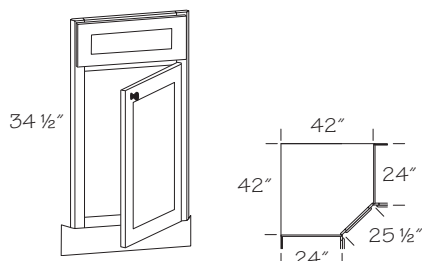
10a 10c
SBA36 R or L
SBA42 R or L

Caution: If cabinet is installed next to an appliance deeper than 25", it may interfere with the cabinet door opening. Options available: A) Use a filler between cabinet and appliance, B) Pull cabinet even with appliance front, which will result in a deeper countertop and overall base cabinet depth dimension



- Specify R or L for door hinging
- One full-width false drawer front above door
- Full overlay sink front door and false drawer front are similar in width to traditional overlay cabinets in order to avoid interference with adjacent cabinet doors. This exposes more of the cabinet face frame
- Field cut top panel to receive sink
- Use Base End Panel Filler if end is exposed (requires 3" of space)
- 29 1/4" minimum doorway clearance required for delivery with cabinet door removed
- Adjacent cabinets can be installed directly without fillers

- ❖ SSS (7)
- ❖ SDS (7)
- 12 (10b)
- 15 (10b)
- 18 (10b)
- 21 (10b)
- CFO (10g)
- CSO (10g)
- FRM (10g)



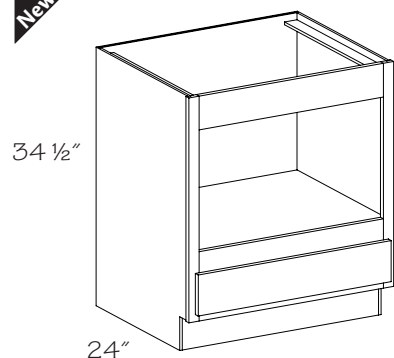
Sink Front Angle

10a 10c
SFA42 R or L

- Specify R or L for door hinging
- One full-width false drawer front above door
- Full overlay sink front door and false drawer front are similar in width to traditional overlay cabinets in order to avoid interference with adjacent cabinet doors. This exposes more of the cabinet face frame
- Toe Kick Backer assembly included; shipped unattached
- Bottom panel not included; order Sink Front Diagonal Bottom (SFDB4242) separately

- ❖ SSS (7)
- ❖ SDS (7)
- 12 (10b)
- 15 (10b)
- 18 (10b)
- 21 (10b)
- CFO (10g)
- CSO (10g)
- FRM (10g)

New



Base Trimmable Microwave Cabinet

10a
BTMC30

Grey color coding indicates new product, size or code.

- Matching interior
- 1/2" thick fixed shelf
- Top surface of fixed shelf is 3/16" below the top edge of the face frame rail
- Standard height drawer
- Designed for freestanding style microwaves
- Minimum opening size: 27" W x 16 3/4" H
- Maximum trimmable opening size: 27" W x 19 3/4" H

- ❖ SSS (7)
- SDS (7)
- 12 (10b)
- 15 (10b)
- 18 (10b)
- 21 (10b)
- CFO (10g)
- CSO (10g)
- FRM (10g)

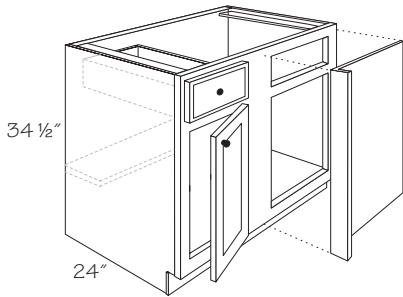
Base Corner Cabinets

Construction Options and Modifications

- ❖ Included as standard
 - Available with an upcharge
 - ☆ Available with exceptions
- (Blank) **Not** available

SSS	Construction	-----	⑦
SDS	Construction	-----	⑦
12	Depth Modification	-----	⑩b
15	Depth Modification	-----	⑩b
18	Depth Modification	-----	⑩b
21	Depth Modification	-----	⑩b
HDS	Half Depth Shelf	-----	⑩c
CFO	Cabinet Front Only	-----	⑩g
CSO	Case Only	-----	⑩g
FRM	Frame Only	-----	⑩g

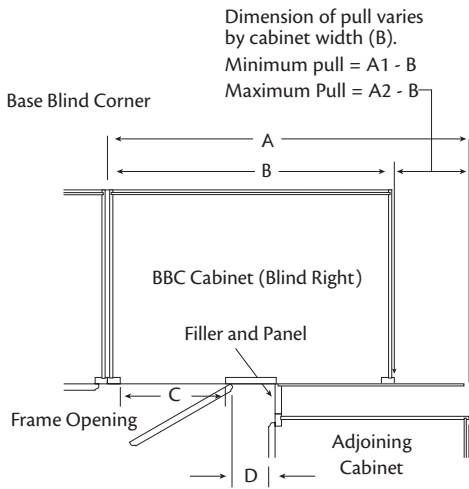
⑩a **BBC36/39FH** **BR** **HDS** ⑩d



Base Blind Corner Cabinet Blind Right (BR) shown

Base Blind Corner Cabinet Information

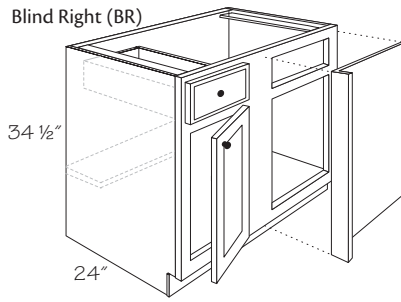
- Base blind corner cabinets provide access to corner space and permit adjusting up to 2 7/8" max. to aid in kitchen layout. Consult chart for pull dimensions and min. wall space requirements
- Pulling the cabinet away from the corner (adding up to 2 7/8" max. to the void area), and using the supplied filler and panel, provides clearance for opening doors and drawers when hardware is used
- BR or BL indicates blind end of cabinet. Please specify.
- Door hinged on same side as blind
- Order blind side left or right; unable to convert in field
- Pull Full overlay products the max. 2 7/8" for proper hardware clearance for drawer and roll-out tray of adjoining cabinet
- **Note:** A 3" Base Filler and Blind Panel is included with each BBC cabinet ordered, shipped unattached



Base Blind Corner	(A) Wall Space		(B) Cabinet Width	(C) Frame Opening		(D) Door Hardware Clearance	
	With Min Pull (A1)	With Max Pull (A2)		Drawer Opening	Door Opening	With Min Pull	With Max Pull
	Traditional Overlay						
BBC36/39	36"	38 7/8"	24"	5"h x 7 1/2"w	7 1/2"w x 20 1/2"h	1 1/2"	4 3/8"
BBC39/42	39"	41 7/8"	30"	5"h x 10 1/2"w	10 1/2"w x 20 1/2"h	1 1/2"	4 3/8"
BBC42/45	42"	44 7/8"	36"	5"h x 13 1/2"w	13 1/2"w x 20 1/2"h	1 1/2"	4 3/8"
BBC45/48	45"	47 7/8"	42"	5"h x 16 1/2"w	16 1/2"w x 20 1/2"h	1 1/2"	4 3/8"
BBC48/51	48"	50 7/8"	48"	5"h x 19 1/2"w	19 1/2"w x 20 1/2"h	1 1/2"	4 3/8"
Full Overlay							
BBC36/39	36"	38 7/8"	24"	5"h x 7 1/2"w	7 1/2"w x 20 1/2"h	13/16"	3 11/16"
BBC39/42	39"	41 7/8"	30"	5"h x 10 1/2"w	10 1/2"w x 20 1/2"h	13/16"	3 11/16"
BBC42/45	42"	44 7/8"	36"	5"h x 13 1/2"w	13 1/2"w x 20 1/2"h	13/16"	3 11/16"
BBC45/48	45"	47 7/8"	42"	5"h x 16 1/2"w	16 1/2"w x 20 1/2"h	13/16"	3 11/16"
BBC48/51	48"	50 7/8"	48"	5"h x 19 1/2"w	19 1/2"w x 20 1/2"h	13/16"	3 11/16"

Base Blind Corner

Blind Right (BR)



10a

BBC39/42 BR or BL HDS
BBC42/45 BR or BL HDS
BBC45/48 BR or BL HDS
BBC48/51 BR or BL HDS

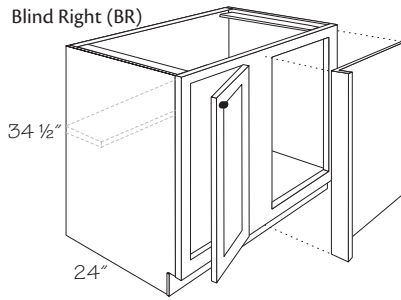
10d

- Specify BR (Blind Right) or BL (Blind Left) position for blind
- Standard height top drawer
- Door hinged to center stile
- Cabinet must be pulled from corner. Pull dimension varies by cabinet width. See top view and chart on previous page for minimum and maximum pull information
- Back panel is pre-drilled for accessory Base Tray Kits (BTK); only available on 21" and 24" deep cabinets
- One full-width half-depth adjustable shelf
- **Note:** Blind Panel with 3" filler included, shipped unattached
- ☆ **Note:** When depth is reduced to 12" or 15", drawer becomes a false drawer front

- ❖ SSS 7
- SDS 7
- ☆ 12 (10b)
- ☆ 15 (10b)
- 18 (10b)
- 21 (10b)
- ❖ HDS (10d)
- CFO (10g)
- CSO (10g)
- FRM (10g)

Base Blind Corner Full Height Door

Blind Right (BR)



10a

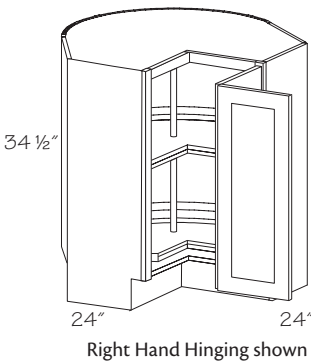
BBC36/39FH BR or BL HDS

10d

- Specify BR (Blind Right) or BL (Blind Left) position for blind
- Door hinged to center stile
- Cabinet must be pulled from corner. Pull dimension varies by cabinet width. See top view and chart on previous page for minimum and maximum pull information
- Back panel is pre-drilled for accessory Base Tray Kits (BTK); only available on 21" and 24" deep cabinets
- One full-width half-depth adjustable shelf
- **Note:** Blind Panel with 3" filler included, shipped unattached

- ❖ SSS 7
- ❖ SDS 7
- 12 (10b)
- 15 (10b)
- 18 (10b)
- 21 (10b)
- ❖ HDS (10d)
- CFO (10g)
- CSO (10g)
- FRM (10g)

Base Corner Revolving Builder



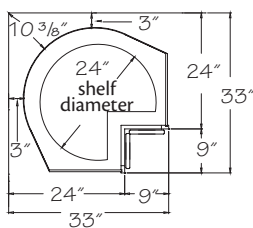
10a

BCRB33 R or L
BCRB36 R or L

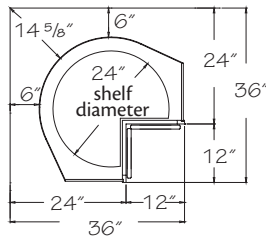
10c

- Specify R or L for door hinging
- Two 24" diameter high impact, pie-cut revolving white plastic shelves
- Shelves rotate independently of doors and each other
- Shelf load rating of 15 lbs. per square foot, unable to exceed 50 lbs.
- Shelf height unable to be adjusted
- Two piece bi-fold door with independent adjustment
- Use Base End Panel Filler if end is exposed (requires 3" of space)
- 170° opening hinges on face frame door
- Hinging is **not** invertible in the field

- ❖ SSS 7
- ❖ SDS 7
- 12 (10b)
- 15 (10b)
- 18 (10b)
- 21 (10b)
- HDS (10d)
- CFO (10g)
- CSO (10g)
- FRM (10g)



BCRB33

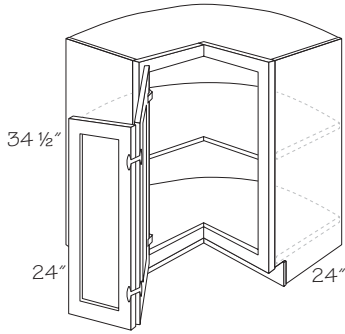


BCRB36

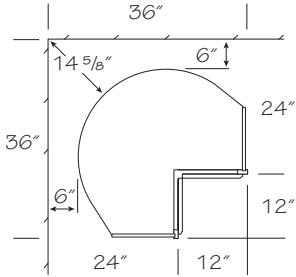
Caution: If cabinet is installed next to an appliance deeper than 25", it may interfere with the cabinet door opening. Options available: A) Use a filler between cabinet and appliance, B) Pull cabinet even with appliance front, which will result in a deeper countertop and overall base cabinet depth dimension

Base Corner Fixed Shelf

10a 10c
BCFS36 R or L



Left Hand Hinging shown



- Specify R or L for door hinging
- One fixed, pie-cut shelf in center position
- Two piece bi-fold door with independent adjustment
- 170° opening hinges on face frame door
- Full overlay door style face frame stiles are notched to accept door hinges. Door hinging unable to be inverted in field
- Use Base End Panel Filler if end is exposed (requires 3" of space)



Caution: If cabinet is installed next to an appliance deeper than 25", it may interfere with the cabinet door opening. Options available:

- A) Use a filler between cabinet and appliance,
- B) Pull cabinet even with appliance front, which will result in a deeper countertop and overall base cabinet depth dimension

- ❖ SSS (7)
- ❖ SDS (7)
- 12 (10b)
- 15 (10b)
- 18 (10b)
- 21 (10b)
- HDS (10d)
- CFO (10g)
- CSO (10g)
- FRM (10g)

Base Accessories

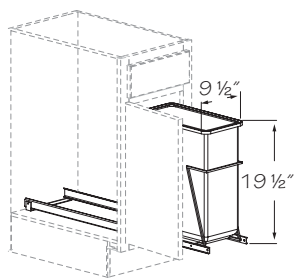
Construction Options and Modifications

BR	Birch	②
LM	Laminate	②

- ❖ Included as standard
 - Available with an upcharge
 - ☆ Available with exceptions
- (Blank) **Not** available

10a
BEP34

Base Wastebasket Floor Mount Kit Single



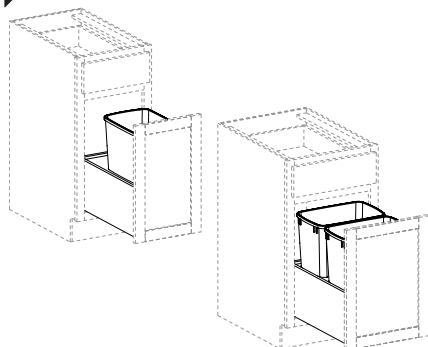
10a
BWBFMK

- White epoxy coated wire
- Fits base cabinets 15" or wider
- Includes 30 qt. white plastic bin
- 3/4 extension roll-out assembly mounts to floor of cabinet
- Installation instructions and mounting hardware included

BR	②
LM	②

New

Base Wastebasket Kit



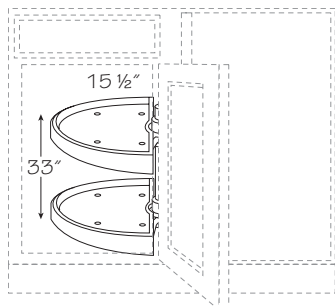
10a
BWBT15
BWBT18

Grey color coding indicates new product, size or code.

- Uses door from existing cabinet
- Includes deep bottom drawer featuring solid wood dovetail construction and soft-close full extension guides; interior height of drawer box is 8 5/8"
- Door attaches to wastebasket drawer box assembly using 4" brackets and is pulled open to access basket(s)
- Deep bottom drawer includes a plywood deck with cut-outs for the waste basket(s); deck holds waste basket(s) in place and allows for easy removal for emptying and cleaning
- 32 qt. basket size is 9 5/16" x 13 3/4" x 17 3/4" tall
- BWBT15 includes one wastebasket
- BWBT18 includes two wastebaskets
- Installation instructions and mounting hardware included

BR	②
LM	②

Base Swing-Out Shelves

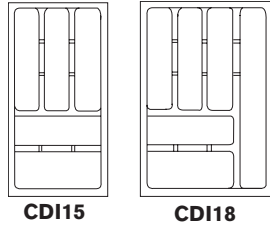


BSOS45 shown

10a
BSOS42
BSOS45

- For use in Base Blind Corner Cabinets
- May be installed for right or left blind application
- Two high-impact white plastic half-moon swing-out shelves
- BSOS42 shelves support up to 38 lbs. and is 31 9/16" x 12 1/2"
- BSOS45 shelves support up to 45 lbs. and is 33" x 15 1/2"
- Bottom shelf pulls out for easy access
- Fixed height shelves attach to center post (included) and rotate independently to 90°
- BSOS42 requires 13 1/4" minimum cabinet opening (BBC42/45)
- BSOS45 requires 16 1/16" minimum cabinet opening (BBC45/48 and BBC48/51)
- Installation instructions and mounting hardware included

BR	②
LM	②



CDI15

CDI18

Cutlery Drawer Insert

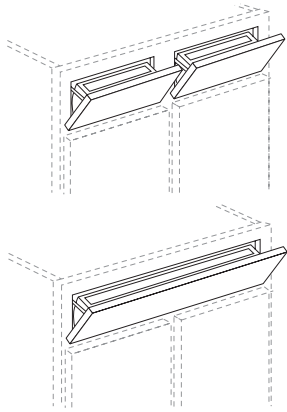
(10a)

CDI15
CDI18

- White polymer one piece trays
- CDI15 fits B15 and BD15-3D
- CDI18 fits B18 and BD18-3D

BR (2)

LM (2)



Utility Tray Kit

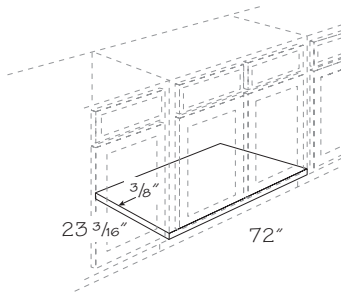
(10a)

UTK15
UTK15-10
UTK27
UTK27-10

- Removable high-impact white plastic tray installs on backside of drawer front for convenient out-of-sight storage of small items, soap, scouring pads, etc.
- UTK15 includes two 11" wide trays for use in cabinets 15" to 24" and 42" to 48" wide
- UTK27 includes one 22" wide tray for use in cabinets 27" to 39" wide
- Concealed self-closing hinges allow drawer front to tilt down 51° for tray access
- Hinge detent holds drawer front in full open position
- Order decorative hardware separately
- Installation instructions and mounting hardware included
- Offered individually or in quantities of 10 per carton (see codes ending in -10)

BR (2)

LM (2)



Sink Front Bottom

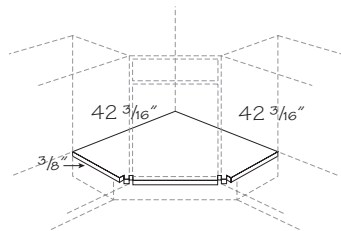
(10a)

SFB2372

- Designed to be used as an optional cabinet bottom for cabinets ordered with (CFO)
- Field trim to length required
- Easy to clean natural woodgrain laminate on one side; backside unfinished
- 3/8" thick engineered wood core
- Installation screws included

BR (2)

LM (2)



Sink Front Diagonal Bottom

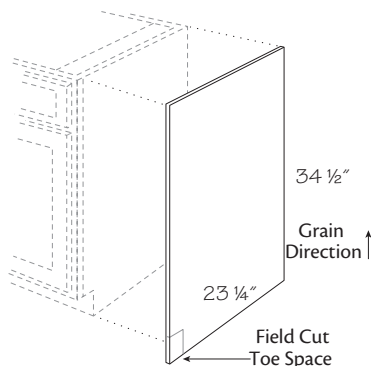
(10a)

SFDB4242

- Designed to be used as an optional cabinet bottom with SFA42 sink front
- Fits SFA42 without field trimming
- 42 3/16" x 42 3/16"
- Easy to clean natural woodgrain laminate on one side; backside unfinished
- 3/8" thick engineered wood core
- Installation screws included

BR (2)

LM (2)



Base End Panel

(10a)

Veneer

■ **BEP34**
■ **BEP34-10**

Paper Laminate
BEP34P
BEP34P-10

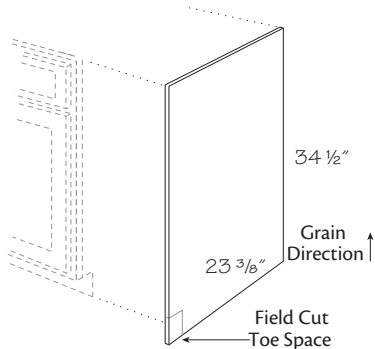
- Painted and laminate finishes are painted veneer

- Used to trim exposed end of base cabinet
- For right or left hand use
- Veneer: 3/16" thick panel, finished on one side; grain runs lengthwise
- Laminate: 1/8" thick panel, laminate on front side, back side unfinished
- Toe space notch is field cut
- Trim to fit installation
- Offered individually or in quantities of 10 per carton (see codes ending in -10)

❖ BR (2)

❖ LM (2)

Sink Front End Panel

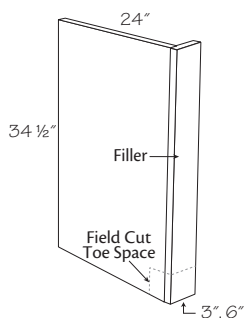


⑩a
SFEP

- Use with (CFO) sink base on end of run
- 3/8" thick engineered wood, laminated both sides
- Matching laminate on front side and natural wood grain laminate on back side
- Toe space notch is field cut
- Trimmable

❖ BR ②
❖ LM ②

Base End Panel Filler

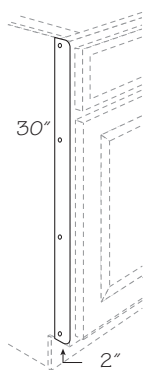


⑩a
BEPF3
BEPF6

- Used on the end of cabinet run to conceal dishwasher or cap end of BCFS/BCRB cabinets
- 3/8" thick engineered wood, laminated both sides
- Matching laminate on front side and natural wood grain laminate on back side
- For right or left hand use
- Toe space notch is field cut
- Painted hardwood supplied for painted and laminate finishes

❖ BR ②
❖ LM ②

Heat Shield



⑩a
HSD

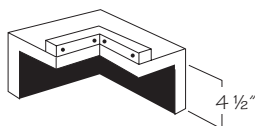
- 1/16" thick
- Two clear acrylic heat shields with installation screws
- Recommended to shield laminate door styles from adjacent oven heat

BR ②
LM ②



Remember, when ordering laminate doors, to order a Heat Shield(s) (HSD) to apply to the base cabinet(s) adjacent to the oven.

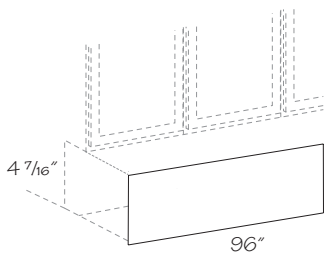
Corner Filler Toe Kick



⑩a
CFTK3

- Use in 90° corners to fill the toe space opening created by using the Wall Filler Corner
- Order Wall Filler Corner separately

BR ②
LM ②

Toe Kick Cover - Laminate

$\frac{1}{8}$ " thick MDF
medium density fiberboard

(10a)

8' length

TKCL8
TKCL8-25

- Matching easy clean laminate on one side
- Grain direction runs lengthwise (when applicable)
- Offered individually or in quantities of 25 per carton (see code ending in -25)

❖ **BR** (2)

❖ **LM** (2)

Tall Cabinets

Construction Options and Modifications

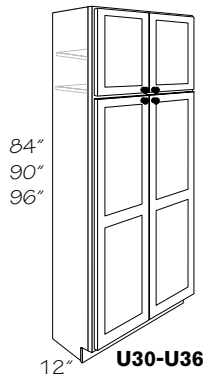
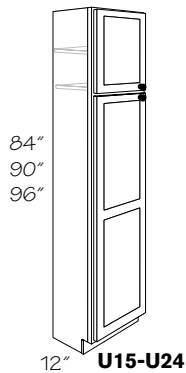
- ❖ Included as standard
 - Available with an upcharge
 - ☆ Available with exceptions
- (Blank) **Not** available

SSS	Construction	-----	(7)
SDS	Construction	-----	(7)
09	Depth Modification	-----	(10b)
15	Depth Modification	-----	(10b)
18	Depth Modification	-----	(10b)
21	Depth Modification	-----	(10b)
CFO	Cabinet Front Only	-----	(10g)
CSO	Case Only	-----	(10g)
FRM	Frame Only	-----	(10g)

Cabinets with a "B" suffix have BUTT doors without a center stile



Tall Utility Cabinet 12" Deep



(10a)	(10c)	(10a)	(10c)
No shelf 84" High		Two shelves 96" High	
U1584	R or L	† U1596	R or L
U1884	R or L	† U1896	R or L
U2484	R or L	† U2496	R or L
U3084		† U3096	
U3084B		† U3096B	
U3684		† U3696	
U3684B		† U3696B	
One shelf 90" High			
U1590	R or L		
U1890	R or L		
U2490	R or L		
U3090			
U3090B			
U3690			
U3690B			

† Top door size available with Accessory Hinged Prep for Glass Door (PG), in select door styles only

Grey color coding indicates new product, size or code.

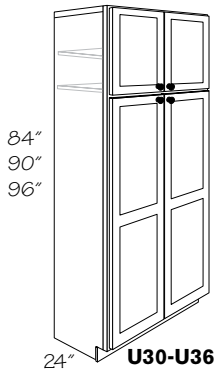
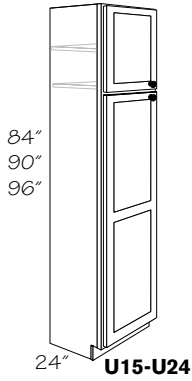
- Specify R or L for door hinging
- Fixed shelf between top and bottom section with adjustable shelves in top section
- 30" and 36" wide non-butt door cabinets have a 3" wide center stile in top and bottom section
- 30" and 36" wide butt door cabinets have a 3" wide center stile in top section, no center stile in bottom section
- Interior height of tall section on 84" and 96" tall cabinets is 60 15/16"; 90" tall is 61 7/16"
- 96" high cabinets include toe kick platform shipped unattached for easier handling and installation
- Toe kick cover required on exposed sides of toe kick platform
- End panels of bottom section are pre-drilled for optional shelves
- Tall doors are two-piece panel construction, except McDurmon, which has a single recessed panel
- Accessory Hinged Prep for Glass Door (PG) is available in select door styles and sizes. For more information, see the Replacement Parts > Replacement Hardware section
- Unless ordered as a Case Only (CSO), cabinets intending to receive Prep for Glass (PG) doors will ship with original, non-glass doors. If original non-glass doors are not required, cabinets should be ordered as Case Only (CSO) with the appropriate Prep for Glass(PG) size to be installed in the field

❖	SSS	(7)
❖	SDS	(7)
●	09	(10b)
	15	(10b)
	18	(10b)
	21	(10b)
●	CFO	(10g)
●	CSO	(10g)
●	FRM	(10g)



If ordering a 96" high unit, consider ordering a tall end panel to flush out the exposed side

Tall Utility Cabinet 24" Deep



(10a)

No shelf
84" High

U158424
U188424
U248424
U308424
U308424B
U368424
U368424B

One shelf
90" High

U159024
U189024
U249024
U309024
U309024B
U369024
U369024B

(10c)

(10a)

Two shelves
96" High

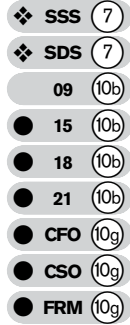
U159624
U189624
U249624
U309624
U309624B
U369624
U369624B

(10c)

† Top door size available with
Accessory Hinged Prep for Glass
Door (PG), in select door styles only

Grey color coding indicates new product, size
or code.

- Specify R or L for door hinging
- Fixed shelf between top and bottom section with adjustable shelves in top section
- 30" and 36" wide non-butt door cabinets have a 3" wide center stile in top and bottom section
- 30" and 36" wide butt door cabinets have a 3" wide center stile in top section, no center stile in bottom section
- Interior height of tall section on 84" and 96" tall cabinets is 60 15/16"; 90" tall is 61 7/16"
- 96" high cabinets include toe kick platform shipped unattached for easier handling and installation
- Toe kick cover required on exposed sides of toe kick platform
- Bottom section is pre-drilled for optional shelves and roll-out trays
- 15"-24" wide cabinets as well as 30" and 36" wide butt door cabinets use pre-drilled holes in end panels for roll-out tray mounting
- 30" and 36" wide non-butt door cabinets have pre-drilled back panels providing easy installation of (5) equally spaced roll-out trays behind each tall door; maximum 10 trays per cabinet
- Tall doors are two-piece panel construction, except McDurmon, which has a single recessed panel
- Accessory Hinged Prep for Glass Door (PG) is available in select door styles and sizes. For more information, see the Replacement Parts > Replacement Hardware section
- Unless ordered as a Case Only (CSO), cabinets intending to receive Prep for Glass (PG) doors will ship with original, non-glass doors. If original non-glass doors are not required, cabinets should be ordered as Case Only (CSO) with the appropriate Prep for Glass (PG) size to be installed in the field



If ordering a 96" high unit, consider ordering a tall end panel to flush out the exposed side

Tall Appliance Cabinets

Construction Options and Modifications

- ❖ Included as standard
 - Available with an upcharge
 - ☆ Available with exceptions
- (Blank) **Not** available

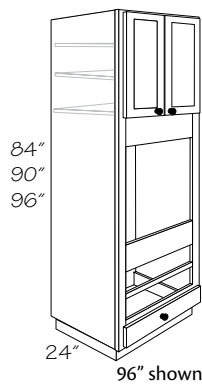
SSS	Construction	-----	⑦
SDS	Construction	-----	⑦
09	Depth Modification	-----	⑩b
15	Depth Modification	-----	⑩b
18	Depth Modification	-----	⑩b
21	Depth Modification	-----	⑩b
CFO	Cabinet Front Only	-----	⑩g
CSO	Case Only	-----	⑩g
FRM	Frame Only	-----	⑩g

Cabinets with a "B" suffix have BUTT doors without a center stile

⑩a

OCU3084

Oven Cabinet Universal



⑩a

No shelf
84" High

OCU3084
OCU3084B
OCU3384

One shelf
90" High

OCU3090
OCU3090B
OCU3390

Two shelves
96" High

† **OCU3096**
† **OCU3096B**
† **OCU3396**

† Top door size available with Accessory Hinged Prep for Glass Door (PG), in select door styles only

Grey color coding indicates new product, size or code.

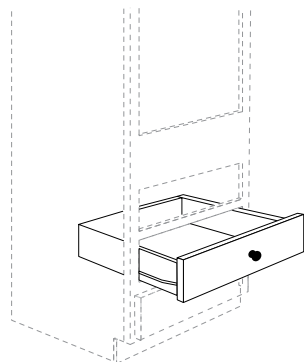
- Fixed shelf between top and bottom section with adjustable shelves in top section
- Three full-width drawer openings at bottom
- 3" wide trimmable vertical stiles provide oven opening width adjustment
- Includes one full-width drawer; order additional Oven Drawer Kits (ODK) as needed
- Face-mounted door hinges provide matching frame reveals
- Center section accommodates single and double ovens by trimming or removing horizontal cross rails
- Face frame rails are attached to stiles with screws on the back side for easy removal
- 96" high cabinets include toe kick platform shipped unattached for easier handling and installation
- Toe kick cover required on exposed sides of toe kick platform
- Includes adjustable 1" thick engineered wood oven platform with heavy-duty mounting brackets and screws that install into pre-drilled end panel holes. Order additional support platform kits as needed. See Oven Cabinet Shelf Platform (OCSP)
- See Cabinet Specifications and Options for oven cutout dimensions
- Accessory Hinged Prep for Glass Door (PG) is available in select door styles and sizes. For more information, see the Replacement Parts > Replacement Hardware section
- Unless ordered as a Case Only (CSO), cabinets intending to receive Prep for Glass (PG) doors will ship with original, non-glass doors. If original non-glass doors are not required, cabinets should be ordered as Case Only (CSO) with the appropriate Prep for Glass(PG) size to be installed in the field

- ❖ **SSS** ⑦
- **SDS** ⑦
- **09** ⑩b
- **15** ⑩b
- **18** ⑩b
- **21** ⑩b
- **CFO** ⑩g
- **CSO** ⑩g
- **FRM** ⑩g



If ordering a 96" high unit, consider ordering a tall end panel to flush out the exposed side

Oven Drawer Kit



⑩a

ODK30
ODK33

- Available with solid wood dovetail drawer core with under-mount drawer guides
- Kit includes: one drawer front, one drawer core, guides and all mounting hardware

- ❖ **SSS** ⑦
- **SDS** ⑦
- **09** ⑩b
- **15** ⑩b
- **18** ⑩b
- **21** ⑩b
- **CFO** ⑩g
- **CSO** ⑩g
- **FRM** ⑩g

Tall Accessories

Construction Options and Modifications

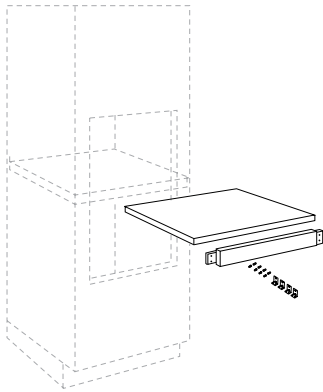
- BR Birch ----- (2)
- LM Laminate ----- (2)

- ❖ Included as standard
 - Available with an upcharge
 - ☆ Available with exceptions
- (Blank) **Not** available

10a

TEP84

Double Oven Cabinet Kit

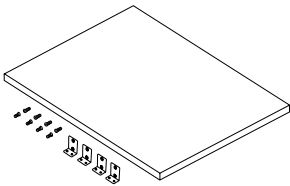


10a

DOCK30
DOCK33

- Designed to provide additional support for a combination microwave oven and built-in oven installation ❖ BR (2)
- Includes one Oven Cabinet Support Platform to support the microwave oven. This includes an engineered wood platform and mounting hardware which install into pre-drilled cabinet end panel holes ❖ LM (2)
- Includes a field installed 3" wide face frame rail to divide the two openings. Installation cleat attached.
Divider Rail Sizes:
DOCK30 - 3/4" x 3" x 24" long
DOCK33 - 3/4" x 3" x 27" long
- Specify wood species and finish for divider rail

Oven Cabinet Support Platform



10a

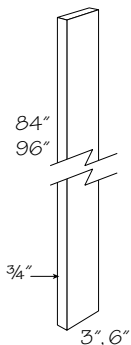
OCSP30
OCSP33

- For installing second appliance in Oven Cabinet Universal cabinet BR (2)
- 1" thick engineered wood unfinished on all surfaces LM (2)
- Includes four heavy-duty metal mounting brackets and eight screws which install into pre-drilled holes in cabinet end panels

Oven Cabinet Support Platform

Cabinet	Width	Depth
OCSP30	28 1/4"	22 7/16"
OCSP33	31 1/4"	22 7/16"

Tall Filler

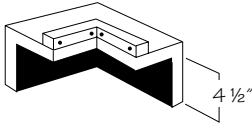


10a

84" high
TF3-84
TF6-84
96" high
TF3-96
TF6-96

- 3/4" thick solid wood ❖ BR (2)
- Painted hardwood supplied for painted and laminate finishes ❖ LM (2)
- Finished on face surface only

Corner Filler Toe Kick

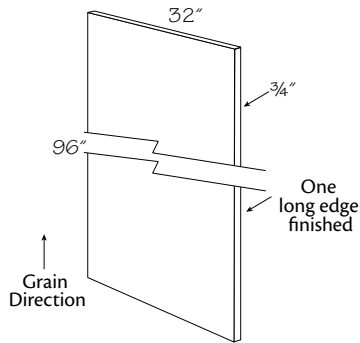


(10a)
CFTK3

- Use in 90° corners to fill the toe space opening created by using the Wall Filler Corner
- Order Wall Filler Corner separately

BR (2)
LM (2)

Refrigerator End Panel

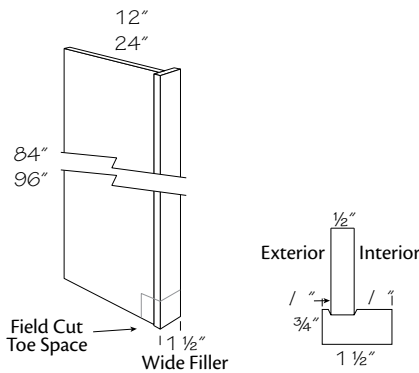


(10a)
REP3296

- 3/4" thick plywood wood core with vertical grain veneer on both sides; edge banded on one long side
- Use next to refrigerator to conceal side, also supports 24" deep wall cabinet over refrigerator
- Painted and laminate finishes are painted veneer

BR (2)
LM (2)

Refrigerator End Panel w/Attached Filler

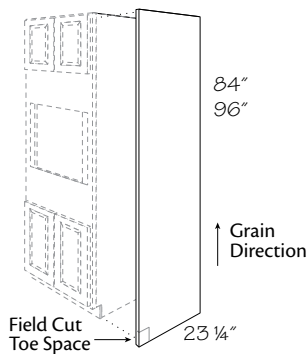


(10a)
84" High
REPF1-5-1284
REPF1-5-2484
96" High
REPF1-5-1296
REPF1-5-2496

- Use next to refrigerator to conceal side, also supports 24" deep wall cabinet over refrigerator
- 1 1/2" solid wood filler attached to panel
- 1/2" thick engineered wood panel laminated both sides
- Matching laminate on exterior side and natural wood grain laminate on interior side
- Painted and laminate finishes have a painted hardwood filler

BR (2)
LM (2)

Tall End Panel



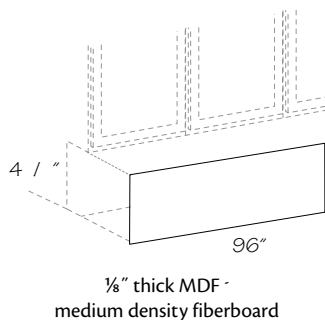
(10a) Veneer
84" High
■ TEP84
■ TEP84-2
96" High
■ TEP96
■ TEP96-2
Painted and laminate finishes are painted veneer

(10a) Paper Laminate
84" High
TEP84P
TEP84P-2
96" High
TEP96P
TEP96P-2

- Used to trim exposed end of tall cabinet
- Can also be used as decorative panel on doors of side by side refrigerator where trim kits from the refrigerator manufacturer are available
- For right or left hand use
- Veneer: 3/16" thick panel, finished on one side; grain runs lengthwise
- Laminate: 1/8" thick panel, laminate on front side, back side unfinished
- Toe space notch is field cut
- Trim to fit installation
- Offered individually or in quantities of 2 per carton (see codes ending in -2)

BR (2)
LM (2)

Toe Kick Cover - Laminate



(10a)
8' length
TKCL8
TKCL8-25

- Matching easy clean laminate on one side
- Grain direction runs lengthwise (when applicable)
- Offered individually or in quantities of 25 per carton (see code ending in -25)

BR (2)
LM (2)

Notes

Vanity Cabinets

Cabinets with a "B" suffix have BUTT doors without a center stile

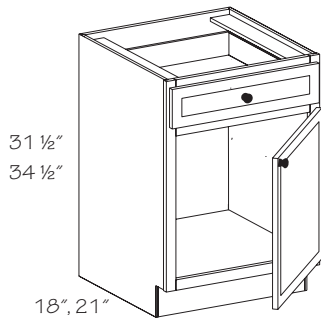
10a 10c
VB12 **L**

Construction Options and Modifications

- ❖ Included as standard
- Available with an upcharge
- ☆ Available with exceptions
- (Blank) **Not** available

SSS Construction	-----	(7)
SDS Construction	-----	(7)
12 Depth Modification	-----	(10b)
15 Depth Modification	-----	(10b)
CFO Cabinet Front Only	-----	(10g)
CSO Case Only	-----	(10g)
FRM Frame Only	-----	(10g)

Vanity Base Single Door



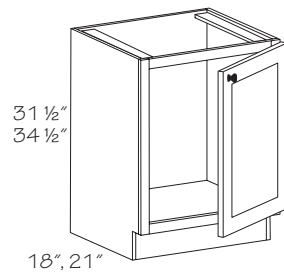
(10a)	(10c)	(10a)	(10c)
18" Deep 31 1/2" High		21" Deep 31 1/2" High	
★ VB1218	R or L	VB12	R or L
★ VB1518	R or L	VB15	R or L
★ VB1818	R or L	VB18	R or L
★ VB2118	R or L	VB21	R or L
★ VB2418	R or L	VB24	R or L
34 1/2" High		34 1/2" High	
★ VB123518	R or L	VB1235	R or L
★ VB153518	R or L	VB1535	R or L
★ VB183518	R or L	VB1835	R or L
★ VB213518	R or L	VB2135	R or L
★ VB243518	R or L	VB2435	R or L

- Specify R or L for door hinging
- No shelf
- Standard height top drawer
- Back is pre-drilled for optional bottom and mid-height accessory Vanity Tray Kits
- Vanity Tray Kits are only available on 21" deep Vanities
- ☆ **Note:** When depth is reduced to 12" or 15", drawers become false fronts

- ❖ **SSS** (7)
- **SDS** (7)
- ☆ **12** (10b)
- ☆ **15** (10b)
- **CFO** (10g)
- **CSO** (10g)
- **FRM** (10g)

★ Unavailable with depth modifications

Vanity Base Single Door Full-Height



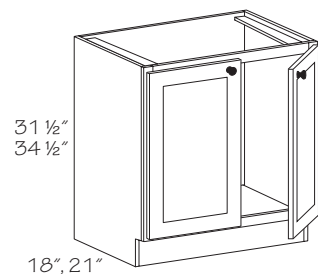
(10a)	(10c)	(10a)	(10c)
18" Deep 31 1/2" High		21" Deep 31 1/2" High	
★ VB1518FH	R or L	VB15FH	R or L
★ VB1818FH	R or L	VB18FH	R or L
34 1/2" High		34 1/2" High	
★ VB153518FH	R or L	VB1535FH	R or L
★ VB183518FH	R or L	VB1835FH	R or L

- Specify R or L for door hinging
- No shelf
- Back is pre-drilled for optional bottom and mid-height accessory Vanity Tray Kits
- Vanity Tray Kits are only available on 21" deep Vanities

- ❖ **SSS** (7)
- ❖ **SDS** (7)
- **12** (10b)
- **15** (10b)
- **CFO** (10g)
- **CSO** (10g)
- **FRM** (10g)

★ Unavailable with depth modifications

Vanity Base Double Door Full-Height



(10a)	(10a)
18" Deep 31 1/2" High	21" Deep 31 1/2" High
★ VB3018FH	VB30FH
★ VB3018BFH	VB30BFH
★ VB3618FH	VB36FH
★ VB3618BFH	VB36BFH
34 1/2" High	34 1/2" High
★ VB273518BFH	VB2735BFH
★ VB303518FH	VB3035FH
★ VB303518BFH	VB3035BFH
★ VB333518FH	VB3335FH
★ VB363518FH	VB3635FH
★ VB363518BFH	VB3635BFH
★ VB393518FH	VB3935FH

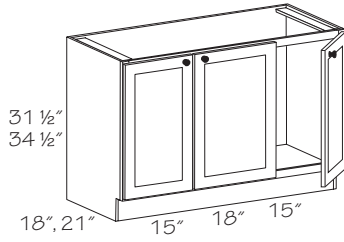
- No shelf
- Back is pre-drilled for optional bottom and mid-height accessory Vanity Tray Kits
- Vanity Tray Kits are only available on 21" deep Vanities

- ❖ **SSS** (7)
- ❖ **SDS** (7)
- **12** (10b)
- **15** (10b)
- **CFO** (10g)
- **CSO** (10g)
- **FRM** (10g)

★ Unavailable with depth modifications

Grey color coding indicates new product, size or code.

Vanity Base Three Door Full-Height



(10a)

18" Deep
31 1/2" High

★ **VB4818FH**

34 1/2" High

★ **VB483518FH**

21" Deep
31 1/2" High

VB48FH

34 1/2" High

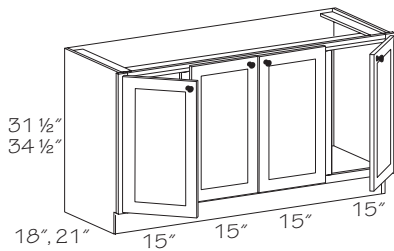
VB4835FH

★ Unavailable with depth modifications

- No shelf
- Center door on 48" cabinets is 3" wider than outer doors
- Center door is hinged right
- Back is pre-drilled for optional bottom and mid-height accessory Vanity Tray Kits that fit behind outer doors.
- Vanity Tray Kits are only available on 21" deep Vanities

- ❖ **SSS** (7)
- ❖ **SDS** (7)
- **12** (10b)
- **15** (10b)
- **CFO** (10g)
- **CSO** (10g)
- **FRM** (10g)

Vanity Base Four Door Full-Height



(10a)

18" Deep
31 1/2" High

★ **VB6018FH**

34 1/2" High

★ **VB603518FH**

21" Deep
31 1/2" High

VB60FH

34 1/2" High

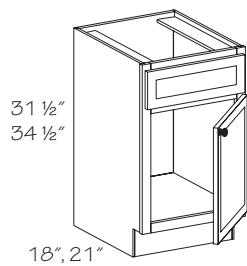
VB6035FH

★ Unavailable with depth modifications

- No shelf
- Doors are equal size
- Doors left of center hinged left, doors right of center hinged right
- Full-width support cross rail across top front of cabinet
- Back is pre-drilled for optional bottom and mid-height accessory Vanity Tray Kits that fit behind outer doors.
- Tray Kits available for middle doors but back is **not** pre-drilled
- Vanity Tray Kits are only available on 21" deep Vanities
- **Note:** Actual cabinet width is 60"

- ❖ **SSS** (7)
- ❖ **SDS** (7)
- **12** (10b)
- **15** (10b)
- **CFO** (10g)
- **CSO** (10g)
- **FRM** (10g)

Vanity Sink Base Single Door



(10a)

18" Deep
31 1/2" High

★ **VSB2418**

(10c)

R or L

34 1/2" High

★ **VSB243518**

R or L

21" Deep
31 1/2" High

VSB24

R or L

34 1/2" High

VSB2435

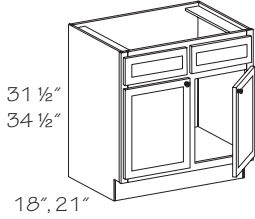
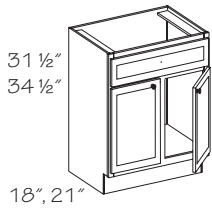
R or L

★ Unavailable with depth modifications

- Specify R or L for door hinging
- No shelf
- One full-width false drawer front above door
- Back is pre-drilled for optional bottom and mid-height accessory Vanity Tray Kits
- Vanity Tray Kits are only available on 21" deep Vanities

- ❖ **SSS** (7)
- ❖ **SDS** (7)
- **12** (10b)
- **15** (10b)
- **CFO** (10g)
- **CSO** (10g)
- **FRM** (10g)

Vanity Sink Base Double Door



(10a)

18" Deep
31 1/2" High

- ★ **VS**B2718B
- ★ **VS**B3018
- ★ **VS**B3018B
- ★ **VS**B3318
- ★ **VS**B3618
- ★ **VS**B3618B
- ★ **VS**B4218

18" Deep
34 1/2" High

- ★ **VS**B273518B
- ★ **VS**B303518
- ★ **VS**B303518B
- ★ **VS**B333518
- ★ **VS**B363518
- ★ **VS**B363518B

(10a)

21" Deep
31 1/2" High

- VS**B27B
- VS**B30
- VS**B30B
- VS**B33
- VS**B36
- VS**B36B
- VS**B42

21" Deep
34 1/2" High

- VS**B2735B
- VS**B3035
- VS**B3035B
- VS**B3335
- VS**B3635
- VS**B3635B

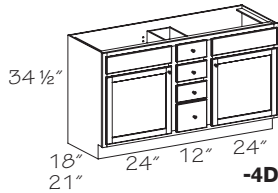
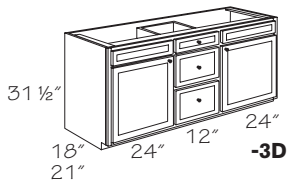
★ Unavailable with depth modifications

Grey color coding indicates new product, size or code.

- No shelf
- All cabinets have one full-width false drawer front except VSB4218 and VSB42, which have two false drawer fronts
- Back is pre-drilled for optional bottom and mid-height accessory Vanity Tray Kits
- Vanity Tray Kits are only available on 21" deep Vanities

- ❖ SSS (7)
- ❖ SDS (7)
- 12 (10b)
- 15 (10b)
- CFO (10g)
- CSO (10g)
- FRM (10g)

Vanity Sink Base Double Bowl



(10a)

31 1/2" High
18" Deep

- ★ **VS**BT6018-3D
- VS**BT60-3D

★ Unavailable with depth modifications

(10a)

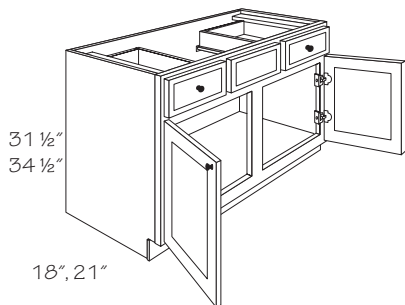
34 1/2" High
18" Deep

- ★ **VS**BT603518-4D
- VS**BT6035-4D

- No shelf
- VSBT 31 1/2" high cabinets have 3 drawers in the center section; 1 standard height top drawer, 2 deep drawers below
- VSBT 34 1/2" high cabinets have 4 drawers in the center section; 3 standard height drawers, 1 deep drawer below
- One false drawer front above each door
- Full-width support cross rail across top front of cabinet
- Opening on each end for sink installation is 24 3/4"
- Back is pre-drilled for optional bottom and mid-height accessory Vanity Tray Kits
- Vanity Tray Kits are only available on 21" deep Vanities
- **Note:** Actual cabinet width is 60"
- ☆ **Note:** When depth is reduced to 12" or 15", drawers become false fronts

- ❖ SSS (7)
- SDS (7)
- ☆ 12 (10b)
- ☆ 15 (10b)
- CFO (10g)
- CSO (10g)
- FRM (10g)

Vanity Sink Base Two Drawer Double Door



(10a)

18" Deep
31 1/2" High

- ★ **VS**B3618-2D
- ★ **VS**B3618B-2D
- ★ **VS**B363518-2D
- ★ **VS**B363518B-2D
- ★ **VS**B393518-2D

★ Unavailable with depth modifications

Grey color coding indicates new product, size or code.

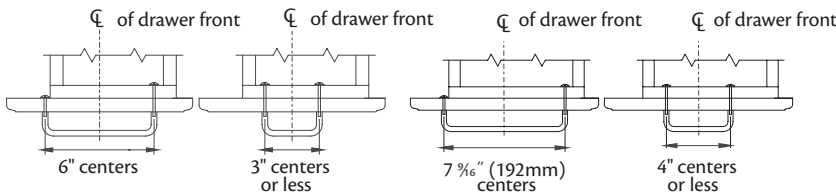
(10a)

21" Deep
31 1/2" High

- VS**B36-2D
- VS**B36B-2D
- VS**B3635-2D
- VS**B3635B-2D
- VS**B3935-2D

- No shelf
- False drawer front only between top drawers
- Space between drawers for sink installation is 18"
- Back is pre-drilled for optional bottom and mid-height accessory Vanity Tray Kits
- Vanity Tray Kits are only available on 21" deep Vanities
- ☆ **Note:** When depth is reduced to 12" or 15", drawers become false fronts
- **Note:** Two standard height top drawers. Drawer fronts are offset from drawer core. This limits the sizes of pulls that can be positioned in the middle of the drawer front, see drawings to left.

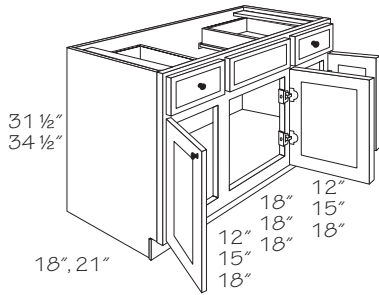
- ❖ SSS (7)
- SDS (7)
- ☆ 12 (10b)
- ☆ 15 (10b)
- CFO (10g)
- CSO (10g)
- FRM (10g)



VSB36-2D, **VS**B36B-2D,
VSB3635-2D and **VS**B3635B-2D

VSB3935-2D
Right hand drawer shown

Vanity Sink Base Two Drawer Three Door

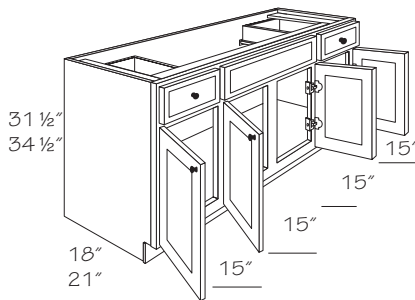


- | | |
|--|--|
| <p>(10a)
18" Deep
31 1/2" High</p> <ul style="list-style-type: none"> ★ VSB4218-2D ★ VSB4818-2D ★ VSB5418-2D <p>34 1/2" High</p> <ul style="list-style-type: none"> ★ VSB423518-2D ★ VSB483518-2D ★ VSB543518-2D <p>★ Unavailable with depth modifications</p> | <p>(10a)
21" Deep
31 1/2" High</p> <ul style="list-style-type: none"> VSB42-2D VSB48-2D VSB54-2D <p>34 1/2" High</p> <ul style="list-style-type: none"> VSB4235-2D VSB4835-2D VSB5435-2D |
|--|--|

- No shelf
- Two standard height top drawers
- False drawer front only between top drawers
- Center door is hinged right
- Center door on 42" cabinets is 6" wider than outer doors
- Center door on 48" cabinets is 3" wider than outer doors
- Doors are equal size on 54" cabinets
- Back is pre-drilled for optional bottom and mid-height accessory Vanity Tray Kits
- Back is pre-drilled behind the center door for optional bottom and mid-height accessory Vanity Tray Kit on VSB543518-2D and VSB5435-2D only
- Space between drawers for sink installation is 21"
- 54" wide cabinets have a full-width support cross rail across top front of cabinet
- Vanity Tray Kits are only available on 21" deep Vanities
- ☆ **Note:** When depth is reduced to 12" or 15", drawers become false fronts

- ❖ **SSS** (7)
- **SDS** (7)
- ☆ **12** (10b)
- ☆ **15** (10b)
- **CFO** (10g)
- **CSO** (10g)
- **FRM** (10g)

Vanity Sink Base Two Drawer Four Door

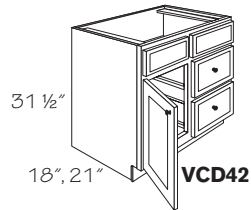
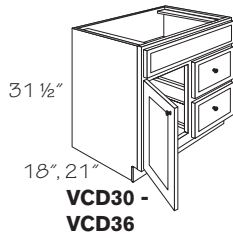


- | | |
|---|---|
| <p>(10a)
18" Deep
31 1/2" High</p> <ul style="list-style-type: none"> ★ VSBT6018-2D ★ VSBT603518-2D <p>34 1/2" High</p> <p>★ Unavailable with depth modifications</p> | <p>(10a)
21" Deep
31 1/2" High</p> <ul style="list-style-type: none"> VSBT60-2D VSBT6035-2D <p>34 1/2" High</p> |
|---|---|

- No shelf
- Doors are equal size
- Two standard height top drawers
- False drawer front only between top drawers
- Doors left of center hinged left, doors right of center hinged right
- Space between drawers for sink installation is 33"
- Full-width support cross rail across top front of cabinet
- Back is pre-drilled for optional bottom and mid-height accessory Tray Kits that fit behind outer doors. See tray availability charts in the Trays section.
- Back is pre-drilled behind the center doors for optional bottom and mid-height accessory Vanity Tray Kit on VSBT60-2D and VSBT6035-2D only
- Vanity Tray Kits are only available on 21" deep Vanities
- **Note:** Actual cabinet width is 60"
- ☆ **Note:** When depth is reduced to 12" or 15", drawers become false fronts

- ❖ **SSS** (7)
- **SDS** (7)
- ☆ **12** (10b)
- ☆ **15** (10b)
- **CFO** (10g)
- **CSO** (10g)
- **FRM** (10g)

Vanity Combination Drawer Two Drawer



(10a)

18" Deep
31 1/2" High

- ★ VCD3018 DR or DL
- ★ VCD3318 DR or DL
- ★ VCD3618 DR or DL
- ★ VCD4218 DR or DL

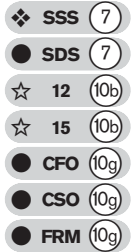
★ Unavailable with depth modifications

(10a)

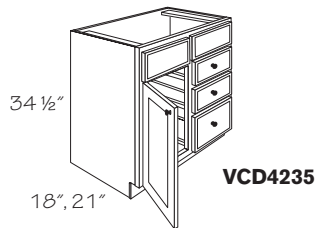
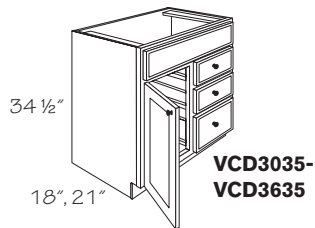
21" Deep
31 1/2" High

- VCD30 DR or DL
- VCD33 DR or DL
- VCD36 DR or DL
- VCD42 DR or DL

- Specify DR (Drawer Right) or DL (Drawer Left) position for drawers
- No shelf
- One door and one full-width false drawer front above door and two deep bottom drawers, except VCD42 which has two false drawer fronts
- Back is pre-drilled for optional bottom and mid-height accessory Vanity Tray Kits
- Vanity Tray Kits are only available on 21" deep Vanities
- ☆ **Note:** When depth is reduced to 12" or 15", drawers become false fronts



Vanity Combination Drawer Three Drawer



(10a)

18" Deep
34 1/2" High

- ★ VCD303518 DR or DL
- ★ VCD333518 DR or DL
- ★ VCD363518 DR or DL
- ★ VCD423518 DR or DL

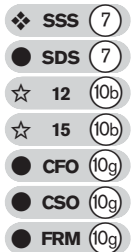
★ Unavailable with depth modifications

(10a)

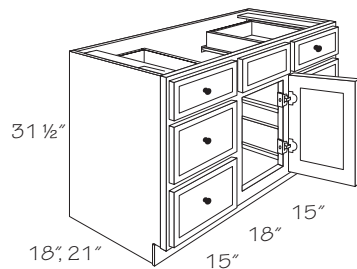
21" Deep
34 1/2" High

- VCD3035 DR or DL
- VCD3335 DR or DL
- VCD3635 DR or DL
- VCD4235 DR or DL

- Specify DR (Drawer Right) or DL (Drawer Left) position for drawers
- No shelf
- One door and one full-width false drawer front above door and drawers, except VCD4235 which has two false drawer fronts
- Two standard height drawers and one lower deep drawer
- Back is pre-drilled for optional bottom and mid-height accessory Vanity Tray Kits
- Vanity Tray Kits are only available on 21" deep Vanities
- ☆ **Note:** When depth is reduced to 12" or 15", drawers become false fronts



Vanity Combination Drawer Six Drawer Single Door



(10a)

18" Deep
31 1/2" High

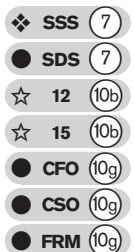
- ★ VCD4818

★ Unavailable with depth modifications

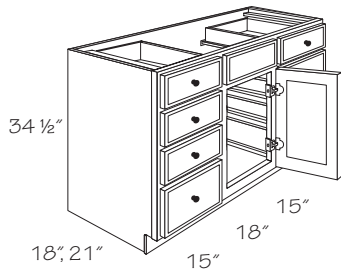
21" Deep
31 1/2" High

VCD48

- No shelf
- Two standard height top drawers and four deep lower drawers
- Center door is hinged right
- False drawer front only between top drawers
- Space between drawers for sink installation is 21"
- Back is **not** pre-drilled for optional bottom and mid-height accessory Vanity Tray Kit
- ☆ **Note:** When depth is reduced to 12" or 15", drawers become false fronts



Vanity Combination Drawer Eight Drawer Single Door



(10a)

18" Deep
34 1/2" High

★ **VCD483518**

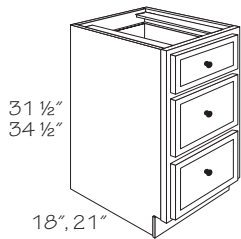
21" Deep
34 1/2" High
VCD4835

★ Unavailable with depth modifications

- No shelf
- Six standard height upper drawers and two deep lower drawers
- Center door is hinged right
- False drawer front only between top drawers
- Space between drawers for sink installation is 21"
- Back is **not** pre-drilled for optional bottom and mid-height accessory Vanity Tray Kit
- ☆ **Note:** When depth is reduced to 12" or 15", drawers become false fronts

- ❖ **SSS** (7)
- **SDS** (7)
- ☆ **12** (10b)
- ☆ **15** (10b)
- **CFO** (10g)
- **CSO** (10g)
- **FRM** (10g)

Vanity Drawer Three Drawer



(10a)

18" Deep
31 1/2" High

VD1218-3D
VD1518-3D
VD1818-3D
VD2118-3D
VD2418-3D

34 1/2" High

VD123518-3D
VD153518-3D
VD183518-3D
VD213518-3D
VD243518-3D

(10a)

21" Deep
31 1/2" High

VD12-3D
VD15-3D
VD18-3D
VD21-3D
VD24-3D

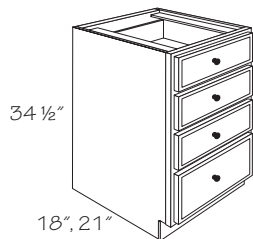
34 1/2" High

VD1235-3D
VD1535-3D
VD1835-3D
VD2135-3D
VD2435-3D

- One standard height top drawer and two deep drawers below

- ❖ **SSS** (7)
- **SDS** (7)
- 12** (10b)
- 15** (10b)
- **CFO** (10g)
- **CSO** (10g)
- **FRM** (10g)

Vanity Drawer Four Drawer



(10a)

18" Deep
34 1/2" High

VD123518-4D
VD153518-4D
VD183518-4D
VD213518-4D
VD243518-4D

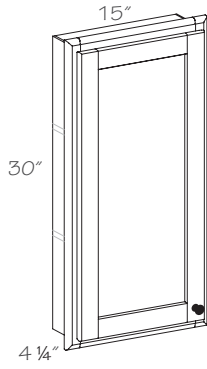
21" Deep
34 1/2" High

VD1235-4D
VD1535-4D
VD1835-4D
VD2135-4D
VD2435-4D

- Three standard height upper drawers and one deep drawer below

- ❖ **SSS** (7)
- **SDS** (7)
- 12** (10b)
- 15** (10b)
- **CFO** (10g)
- **CSO** (10g)
- **FRM** (10g)

Vanity Wall Recessed

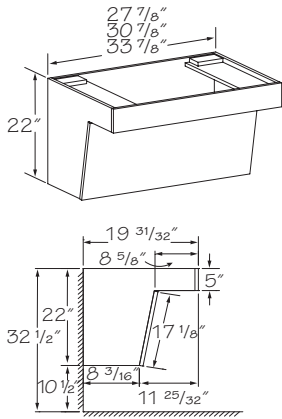


⑩a ⑩c
VWR1530 R or L

- Specify R or L for door hinging
- For surface mount or recess installation
- Two adjustable shelves
- Sides, top, and bottom are laminated both sides
- Opening for recessed installation:
 13 1/2" W x 28 3/4" H x 3 1/2" D

- ◆ **SSS** ⑦
- ◆ **SDS** ⑦
- 12 ⑩b
- 15 ⑩b
- **CFO** ⑩g
- **CSO** ⑩g
- **FRM** ⑩g

Vanity Floating Plumbing Skirt



⑩a
VFPS30
VFPS33
VFPS36

- ☆ Cabinet components are constructed of plywood
- ☆ Regardless of construction option, model is constructed the same



Warning: Floating plumbing unit must be securely attached to wall studs per the provided installation sheets

- ☆ **SSS** ⑦
- ☆ **SDS** ⑦
- 12 ⑩b
- 15 ⑩b
- **CFO** ⑩g
- **CSO** ⑩g
- **FRM** ⑩g

Vanity Accessories

Construction Options and Modifications

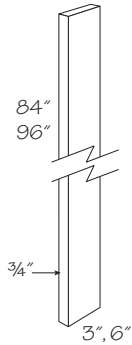
BR	Birch	-----	(2)
LM	Laminate	-----	(2)

- ❖ Included as standard
 - Available with an upcharge
 - ☆ Available with exceptions
- (Blank) **Not** available

(10a)

TKCL8

Tall Filler



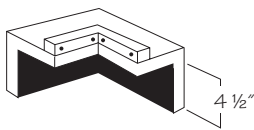
(10a)

84" high
TF3-84
TF6-84
96" high
TF3-96
TF6-96

- 3/4" thick solid wood
- Painted hardwood supplied for painted and laminate finishes
- Finished on face surface only

❖	BR	(2)
❖	LM	(2)

Corner Filler Toe Kick



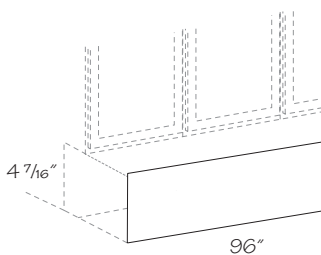
(10a)

CFTK3

- Use in 90° corners to fill the toe space opening created by using the Wall Filler Corner
- Order Wall Filler Corner separately

❖	BR	(2)
❖	LM	(2)

Toe Kick Cover - Laminate



(10a)

8" length
TKCL8
TKCL8-25

- Matching easy clean laminate on one side
- Grain direction runs lengthwise (when applicable)
- Offered individually or in quantities of 25 per carton (see code ending in -25)

❖	BR	(2)
❖	LM	(2)

1/8" thick MDF -
medium density fiberboard

Office Cabinets

Construction Options and Modifications

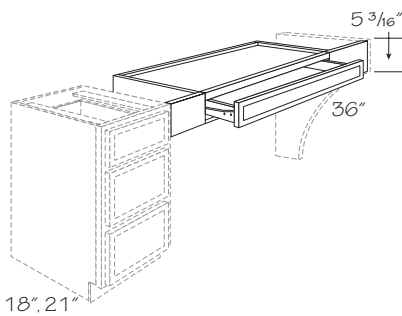
- ❖ Included as standard
 - Available with an upcharge
 - ☆ Available with exceptions
- (Blank) **Not** available

SSS Construction	-----	(7)
SDS Construction	-----	(7)
CFO Cabinet Front Only	-----	(10g)
CSO Case Only	-----	(10g)

(10a)

DKDT36

Desk Knee Drawer Trimmable

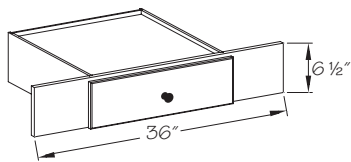


(10a)
 18" deep
DKDT3618
 21" deep
DKDT36

- Designed for use between base, vanity, tall cabinets or with desk leg on one end
- Full-width top panel is recessed for easier installation
- Drawer front is profiled on all edges
- 4 1/2" wide face frame stiles permit DKDT to be trimmed up to 6" in overall width (3" each side)
- Face frame includes 11/16" tall bottom rail for added strength
- Drawer fronts are solid slab
- Requires countertop or writing surface

❖ SSS	(7)
● SDS	(7)
● CFO	(10g)
● CSO	(10g)

Desk Knee Drawer Deep Trimmable



(10a)
 18" deep
DKDDT3618
 21" deep
DKDDT36

- Designed for use between base, vanity, tall cabinets or with desk leg on one end
- One standard height drawer
- Frame is constructed of 3/4" plywood
- Drawer front is profiled on all edges
- Full-width top panel is recessed for easier installation
- Requires countertop or writing surface
- Trimmable to 21" wide, 7 1/2" each side

❖ SSS	(7)
● SDS	(7)
● CFO	(10g)
● CSO	(10g)

Office Cabinet Accessories

Construction Options and Modifications

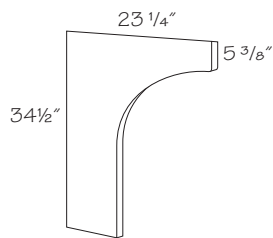
BR	Birch	-----	②
LM	Laminate	-----	②

- ❖ Included as standard
 - Available with an upcharge
 - ☆ Available with exceptions
- (Blank) **Not** available

⑩a

DEPC2434

Desk End Panel Contoured



⑩a

DEPC2434

- Used to support end of Desk Knee Drawer Trimmable; fits behind extended frame stile
- 3/4" thick engineered wood core with vertical grain veneer on both sides
- Front edges are banded
- Painted and laminate finishes are painted veneer
- Field cut to correct height where applicable

❖ **BR** ②

❖ **LM** ②

Universal Access Cabinets

Construction Options and Modifications

- ❖ Included as standard
 - Available with an upcharge
 - ☆ Available with exceptions
- (Blank) **Not** available

SSS	Construction	-----	⑦
SDS	Construction	-----	⑦
12	Depth Modification	-----	⑩b
15	Depth Modification	-----	⑩b
18	Depth Modification	-----	⑩b
21	Depth Modification	-----	⑩b
HDS	Half Depth Shelf	-----	⑩d
CFO	Cabinet Front Only	-----	⑩g
CSO	Case Only	-----	⑩g
FRM	Frame Only	-----	⑩g

We manufacture cabinets that are readily used in floor plans that meet current ADA Accessibility Guidelines for Building and Facilities (ADAAG) guidelines. The primary responsibility to make a space comply with these guidelines is on the architect or space planner. Our products can be used to help satisfy the storage needs and accessibility requirements of disabled persons but depends on the knowledge, skill and creativity of the design professional and proper installation of these products. ADA Accessibility Guidelines for buildings and facilities can be visited online at: www.access-board.gov

Universal Access cabinetry features a 5 1/2" high toe kick.

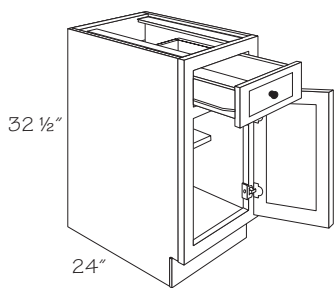
Cabinets with a "B" suffix have BUTT doors without a center stile.

Material dimensions may vary slightly based on lumber industry standards.

Specifications subject to change without notice.



Universal Base Single Door

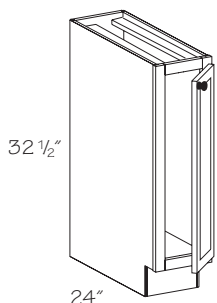


⑩a	⑩c	⑩d
UB12	R or L	HDS
UB15	R or L	HDS
UB18	R or L	HDS
UB21	R or L	HDS
UB24	R or L	HDS

- Specify R or L for door hinging
- Standard height top drawer
- Back panel is pre-drilled for accessory Base Tray Kits (BTK); only available for 21" and 24" deep cabinets
- ☆ **Note:** When depth is reduced to 12" or 15", drawers become a false drawer front

- ❖ SSS ⑦
- SDS ⑦
- ☆ 12 ⑩b
- ☆ 15 ⑩b
- 18 ⑩b
- 21 ⑩b
- ❖ HDS ⑩d
- CFO ⑩g
- CSO ⑩g
- FRM ⑩g

Universal Base Single Door - Full-Height

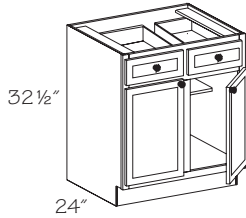
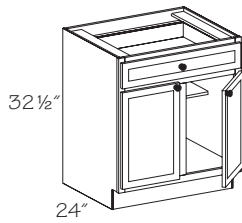


⑩a	⑩c
UB9FH	R or L

- Specify R or L for door hinging
- No shelf

- ❖ SSS ⑦
- ❖ SDS ⑦
- 12 ⑩b
- 15 ⑩b
- 18 ⑩b
- 21 ⑩b
- HDS ⑩d
- CFO ⑩g
- CSO ⑩g
- FRM ⑩g

Universal Base Double Door



⑩a ⑩d

One Drawer

UB27B HDS
UB30 HDS
UB30B HDS
UB36 HDS
UB36B HDS

Two Drawers

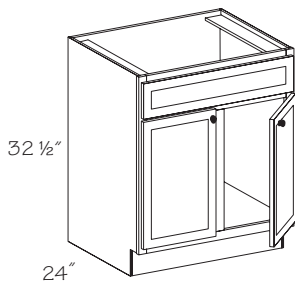
UB42 HDS

Grey color coding indicates new product, size or code.

- Standard height top drawer(s)
- Back panel is pre-drilled for accessory Base Tray Kits; only available on 21" and 24" deep cabinets
- ☆ **Note:** When depth is reduced to 12" or 15", drawers become a false drawer front

- ❖ SSS ⑦
- SDS ⑦
- ☆ 12 ⑩b
- ☆ 15 ⑩b
- 18 ⑩b
- 21 ⑩b
- ❖ HDS ⑩d
- CFO ⑩g
- CSO ⑩g
- FRM ⑩g

Universal Sink Base Double Door



⑩a

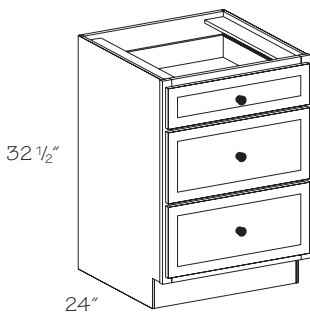
USB30
USB30B
USB36
USB36B

Grey color coding indicates new product, size or code.

- No shelf
- One full-width false drawer front
- Back panel is pre-drilled for accessory Base Tray Kits; only available on 21" and 24" deep cabinets

- ❖ SSS ⑦
- ❖ SDS ⑦
- 12 ⑩b
- 15 ⑩b
- 18 ⑩b
- 21 ⑩b
- HDS ⑩d
- CFO ⑩g
- CSO ⑩g
- FRM ⑩g

Universal Base Three Drawer



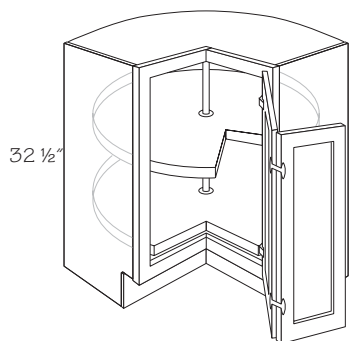
⑩a

UBD12-3D
UBD15-3D
UBD18-3D
UBD21-3D
UBD24-3D

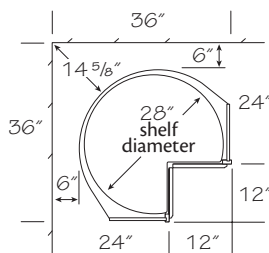
- Standard height top drawer
- Bottom drawers are deep

- ❖ SSS ⑦
- SDS ⑦
- 12 ⑩b
- 15 ⑩b
- 18 ⑩b
- 21 ⑩b
- HDS ⑩d
- CFO ⑩g
- CSO ⑩g
- FRM ⑩g

Universal Base Corner Revolving



⑩a ⑩c
UBCR36 R or L



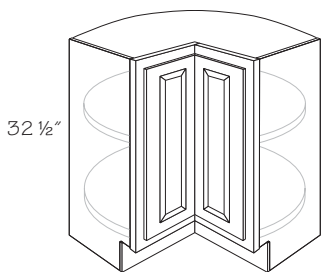
- Specify R or L for door hinging
- Available in full overlay door styles only
- Two piece bi-fold door with independent adjustment
- 170° opening hinges on face frame door
- Two 28" diameter high impact, pie-cut revolving white plastic shelves
- Shelves rotate independently of doors and each other
- Shelf load rating of 15 lbs. per square foot, unable to exceed 50 lbs.
- Shelf height unable to be adjusted
- Use Base End Panel Filler if end is exposed (requires 3" of space)
- Requires 36" of wall space in each direction
- Hinging is **not** invertible in the field

- ❖ SSS ⑦
- ❖ SDS ⑦
- 12 ⑩b
- 15 ⑩b
- 18 ⑩b
- 21 ⑩b
- HDS ⑩d
- CFO ⑩g
- CSO ⑩g
- FRM ⑩g

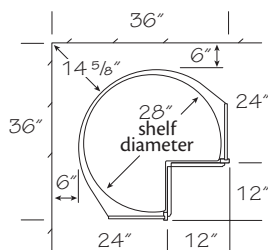


If corner cabinet is adjacent to an object that is deeper than the end panel, the door of the corner cabinet may not function properly.

Universal Base Lazy Susan



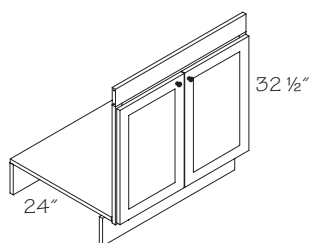
⑩a
UBLS36



- Available in traditional overlay door styles only
- Doors revolve with shelves
- Two 28" diameter high impact, pie-cut revolving white plastic shelves
- Shelf height unable to be adjusted
- Shelf load rating of 15 lbs. per square foot, unable to exceed 50 lbs.
- Use Base End Panel Filler if end is exposed (requires 3" of space)
- Requires 36" of wall space in each direction

- ❖ SSS ⑦
- ❖ SDS ⑦
- 12 ⑩b
- 15 ⑩b
- 18 ⑩b
- 21 ⑩b
- HDS ⑩d
- CFO ⑩g
- CSO ⑩g
- FRM ⑩g

Universal Removable Sink Front Double Doors



⑩a
URSF30
URSF30B
URSF33
URSF36
URSF36B
URSF42

Grey color coding indicates new product, size or code.

- Designed for easy field conversion from a standard sink base functionality to universal access open space
- Permanently installed countertop support rail is 3 1/2" high x 3/4" thick solid wood
- Doors and frame are shipped pre-assembled
- 3/4" thick removable plywood bottom panel with support hardware / leveling legs and a removable clipped-on toe board provided
- Matching solid wood baseboard provided for bottom panel support along the kitchen wall
- Frame, doors, floor bottom and toe board can be flat packed for easy storage in a min. amount of space
- Frame attached to bottom panel using quick connect (cam-locks) fasteners providing a solid, tight joint
- Some field assembly required; instructions and hardware included
- A Universal Access Panel can be purchased separately to conceal/protect the water and drain lines.

- ❖ SSS ⑦
- ❖ SDS ⑦
- 12 ⑩b
- 15 ⑩b
- 18 ⑩b
- 21 ⑩b
- HDS ⑩d
- CFO ⑩g
- CSO ⑩g
- FRM ⑩g



Complete flooring under Universal Access Removable Sink Front to prepare for the future when sink front and plywood bottom is removed.

Universal Access Cabinet Accessories

Construction Options and Modifications

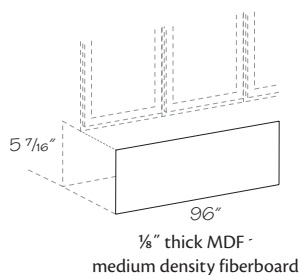
- BR Birch ----- (2)
- LM Laminate ----- (2)

- ❖ Included as standard
 - Available with an upcharge
 - ☆ Available with exceptions
- (Blank) **Not** available

(10a)

TKCUL8

Universal Base Toe Kick Cover - Laminate



(10a)

8' length
TKCUL8

- Matching easy clean laminate on one side
- Grain direction runs lengthwise (when applicable)

- ❖ **BR** (2)
- ❖ **LM** (2)

Panels

Construction Options and Modifications

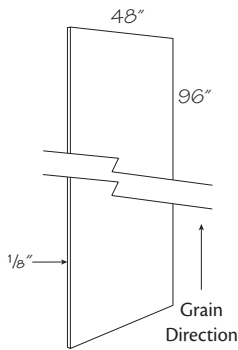
BR	Birch	-----	(2)
LM	Laminate	-----	(2)

- ❖ Included as standard
 - Available with an upcharge
 - ☆ Available with exceptions
- (Blank) Not available

(10a)

PB4834P

Panel Backer-Paper



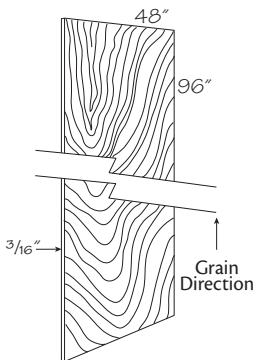
(10a)

PB4896P
PB4896P-2

- ❖ Use to cover exposed backs of Base and Tall cabinets in peninsula or island configurations
- ❖ Medium Density Fiberboard (MDF) panel with easy clean laminate on front side and unfinished backside
- ❖ Offered individually or in quantities of 2 per carton (see code ending in -2)

❖	BR	(2)
❖	LM	(2)

Panel Backer-Veneer



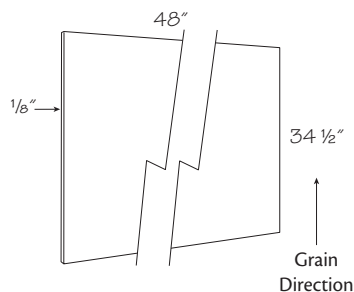
(10a)

PB4896
PB4896-2

- ❖ Use to cover exposed backs of Base and Tall cabinets in peninsula or island configurations
- ❖ Veneered plywood panel finished on one side
- ❖ Painted and laminate finishes are painted veneer
- ❖ Offered individually or in quantities of 2 per carton (see code ending in -2)

❖	BR	(2)
❖	LM	(2)

Panel Backer 3' Tall-Paper



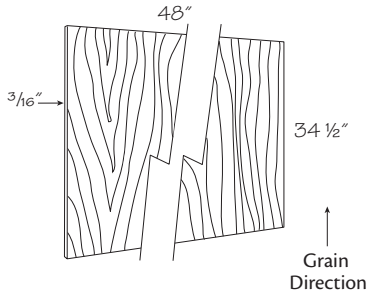
(10a)

PB4834P
PB4834P-2

- ❖ Use to cover exposed backs of Base cabinets in peninsula or island configurations
- ❖ Medium Density Fiberboard (MDF) panel with easy clean laminate on front side and unfinished backside
- ❖ Offered individually or in quantities of 2 per carton (see code ending in -2)

❖	BR	(2)
❖	LM	(2)

Panel Backer 3' Tall-Veneer



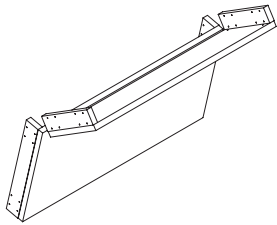
10a

PB4834
PB4834-4

- Use to cover exposed backs of Base cabinets in peninsula or island configurations
- Veneered plywood panel finished on one side
- Painted and laminate finishes are painted veneer
- Offered individually or in quantities of 4 per carton (see code ending in -4)

❖ **BR** (2)
❖ **LM** (2)

Universal Access Panel



10a

UAP30
UAP33
UAP36
UAP42

- Designed for optional use with Universal Removable Sink Front
- Conceals/protects drain and water lines
- Includes one 9" and one 15" high, 3/4" thick laminate plywood panel
- Panels are held with hidden spring clips, removable without tools for easy access to plumbing
- Trim when Base End Panels are used on adjacent cabinets
- Specify species and finish
- Installation instructions and mounting hardware included
- Regardless of construction option, model is constructed the same

❖ **BR** (2)
❖ **LM** (2)

Shelving

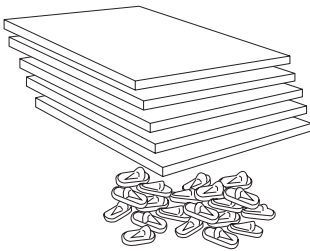
Construction Options and Modifications

BR Birch ----- (2)
 LM Laminate ----- (2)

- ❖ Included as standard
 - Available with an upcharge
 - ☆ Available with exceptions
- (Blank) Not available

(10a)

USK1524-1/2



Shelf Kits

(10a)

1/2" Thick Shelves
 Engineered Wood
 Utility Shelf Kit
 10 19/32" deep
USK1512-1/2
USK1812-1/2
USK2412-1/2
 19 19/32" deep
USK1521-1/2
USK1821-1/2
USK2421-1/2
 22 19/32" deep
USK1524-1/2
USK1824-1/2
USK2424-1/2

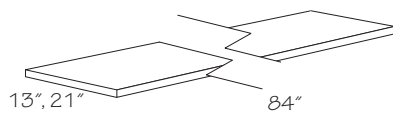
(10a)

3/4" Thick Shelves
 Plywood
 Utility Shelf Kit
 10 19/32" deep
USK3012-3/4
USK3612-3/4
 19 19/32" deep
USK3021-3/4
USK3621-3/4
 22 19/32" deep
USK3024-3/4
USK3624-3/4

- Easy to clean natural woodgrain laminated on both sides with matching edge banding on front edge
- Kit includes: five shelves, 20 clear supports, 30" and 36" wide shelf kits also include five clear back supports

BR (2)
 LM (2)

Furniture Shelf Kit



(10a)

13" Deep
FS1384
 21" Deep
FS2184

- 3/4" thick engineered wood
- Shelf load rating of 15 lbs. per square foot, unable to exceed 50 lbs.
- 13" deep for books and decorative accessories, 21" deep for electronics
- Front and back edges finished
- Stained finishes are wood veneer; Laminate and painted finishes are laminate
- Trim to fit installation
- Shelf supports sold separately

BR (2)
 LM (2)

Base Shelving-Full Depth



(10a)

BS1224
BS1524
BS1824
BS2124
BS2424
BS2724B
BS3024

(10a)

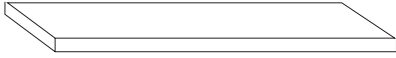
BS3024B
BS3324
BS3624
BS3624B
BS3924
BS4524
BS4824

- 1/2" engineered wood core, except for butt door shelves, which are 3/4" thick
- Easy to clean natural woodgrain laminated on both sides with matching edge banding on front edge

BR (2)
 LM (2)

Grey color coding indicates new product, size or code.

Replacement Shelving



10a

Base Shelf
12" deep

RBS1212
RBS1512
RBS1812
RBS2112
RBS2412
RBS2712B
RBS3012
RBS3012HDS
RBS3012B
RBS3012BHDS
RBS3312
RBS3312HDS
RBS3612
RBS3612HDS
RBS3612B
RBS3612BHDS
RBS3912
RBS3912HDS
RBS4212
RBS4212HDS
RBS4512
RBS4512HDS
RBS4812
RBS4812HDS

Peninsula Base Shelf
24" deep

RBS1824PB
RBS2424PB
RBS3624PB
RBS4824PB

Base Corner Fixed Shelf
36" deep

RBS3636BCFS

Tall Shelf
12" deep

RTS1512
RTS1812
RTS2412
RTS3012
RTS3012B
RTS3612
RTS3612B

Tall Shelf
24" deep

RTS1524
RTS1824
RTS2424
RTS3024
RTS3024B
RTS3324
RTS3624
RTS3624B

Vanity Wall Recessed
4" deep

RVS1504VWR

10a

Wall Shelf
12" deep

RWS0912
RWS1212
RWS1512
RWS1812
RWS2112
RWS2412
RWS2712B
RWS3012
RWS3012B
RWS3312
RWS3612
RWS3612B
RWS3912
RWS4212
RWS4512
RWS4812

Wall Shelf
15" deep

RWS0915
RWS1215
RWS1515
RWS1815
RWS2115
RWS2415
RWS2715B
RWS3015
RWS3015B
RWS3315
RWS3615
RWS3615B
RWS3915
RWS4215
RWS4515
RWS4815

Wall Shelf
24" deep

RWS0924
RWS1224
RWS1524
RWS1824
RWS2124
RWS2424
RWS2724B
RWS3024
RWS3024B
RWS3324
RWS3624
RWS3624B
RWS3924
RWS4224
RWS4524
RWS4824

Wall Shelf
24" deep

RWS0924
RWS1224
RWS1524
RWS1824
RWS2124
RWS2424
RWS2724B
RWS3024
RWS3024B
RWS3324
RWS3624
RWS3624B
RWS3924
RWS4224
RWS4524
RWS4824

Wall Microwave Shelf
15" deep

RWS3015WMS

Wall Angle
24" deep

RWS2424WA

Wall Angle
27" deep

RWS2727WA

10a

Matching Interior
Wall Shelf
12" deep

RWS1512MI
RWS1812MI
RWS2112MI
RWS2412MI
RWS3012MI
RWS3612MI

Matching Interior
Wall Shelf
15" deep

RWS1515MI
RWS1815MI
RWS2115MI
RWS2415MI
RWS3015MI
RWS3615MI

Matching Interior
Wall Shelf
24" deep

RWS1524MI
RWS1824MI
RWS2124MI
RWS2424MI
RWS3024MI
RWS3624MI

- 1/2" engineered wood core, except for butt door
- Easy to clean natural woodgrain laminated on both sides with matching edge banding on front edge
- (HDS) - Shelf will have a matching full-length support apron secured to the underside near the front edge for additional support
- (MI) - Matching, easy to clean laminate on two sides with matching edge banding on front edge
- Peninsula Base Shelf items have matching edge banding on front and back edges

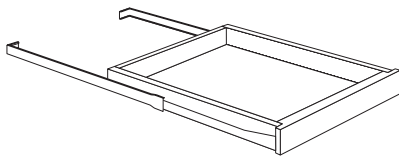
❖ BR 2
❖ LM 2

Grey color coding indicates new product, size or code.

Trays

(10a)

BTK12



Base Tray Kit - Standard

(10a)

BTK12
BTK15
BTK18
BTK21
BTK24
BTK27B
BTK30B
BTK33
BTK36/39
BTK36B
BTK39
BTK45

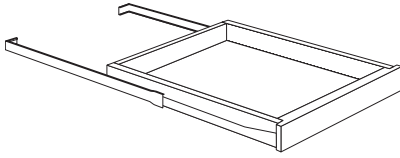
Grey color coding indicates new product, size or code.

- Installs in base and 24" deep utility cabinets
- Base cabinets and 30"/36" wide non-butt door Utility cabinets utilize pre-drilled holes in back panel
- Utility cabinets (15"-24" widths, 30"/36" wide with butt doors) utilize holes in end panels
- BTK15, BTK18, and BTK24 include brackets and screws for installing in single door Utility cabinets
- BTK30B and BTK36B include brackets and screws for installing in butt door Utility cabinets
- Includes tray core box, 3/4 extension left and right slides and installation hardware
- Tray front made of solid hardwood; tray sides, back and bottom panel are made of engineered wood covered with a moisture- and stain-resistant, easy clean laminate. Top edge of sides and back finished with matching edge banding
- Double-door cabinets with center stile require two kits if installing a tray on each side

Base Tray Kit - Standard

Item	Tray Width	For Use In:
BTK12	8 3/4"	B12, B12FH, B24D, SB12, SB24D, UB12
BTK15	11 3/4"	B15, B15FH, B30, B30FH, SB15, SB30, U158424, U159024, U159624, U308424, U309024, U309624, UB15, UB30, USB30
BTK18	14 3/4"	B18, B18FH, B36, B36FH, SB18, SB36, U188424, U189024, U189624, U368424, U369024, U369624, UB18, UB36, USB36
BTK21	17 3/4"	B21, B21FH, B42, B42FH, SB21, SB42, UB21, UB42
BTK24	20 3/4"	B24, B24FH, B48, B48FH, SB24, SB48, U248424, U249024, U249624, UB24
BTK27B	23 3/4"	B27B, B27BFH, SB27B, UB27B
BTK30B	26 3/4"	B30B, B30BFH, SB30B, U308424B, U309024B, U309624B, UB30B, USB30B
BTK33	13 1/4"	B33, B33FH, BBC42/45, SB33
BTK36/39	7 1/4"	BBC36/39FH
BTK36B	32 3/4"	B36B, B36BFH, SB36B, U368424B, U369024B, U369624B, UB36B, USB36B
BTK39	16 1/4"	B39, B39FH, BBC45/48, SB39
BTK45	19 1/4"	B45, BBC48/51, SB45

Vanity Tray Kit



10a

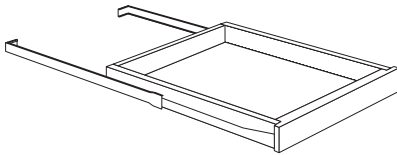
- VTK12**
- VTK15**
- VTK18**
- VTK21**
- VTK24**
- VTK27B**
- VTK30B**
- VTK33**
- VTK36B**
- VTK39**

- Installs in 21" deep Vanity cabinets using pre-drilled holes in back panel
- Includes tray core box, 3/4 extension left and right slides and installation hardware
- Tray front is made of solid hardwood; tray sides, back and bottom panel are made of engineered wood covered with a moisture and stain-resistant, easy clean laminate. Top edge of sides and back finished with matching edge banding
- Double-door cabinets with center stile require two kits if installing a tray on each side

Grey color coding indicates new product, size or code.

Vanity Tray Kit		
Item	Tray Width	For Use In:
VTK12	8 3/4"	VB12, VB1235, VSB42-2D, VSB4235-2D
VTK15	11 3/4"	VB15, VB1535, VB15FH, VB1535FH, VB30FH, VB3035FH, VB4835FH, VB48FH, VBT6035FH, VBT60FH, VCD30DR/L, VCD3035DR/L, VSB30, VSB3035, VSB48-2D, VSB4835-2D, VSBT60-2D, VSBT6035-2D
VTK18	14 3/4"	VB18, VB1835, VB18FH, VB1835FH, VB36FH, VB3635FH, VCD36DR/L, VCD3635DR/L, VSB36, VSB3635, VSB36-2D, VSB3635-2D, VSB54-2D, VSB5435-2D
VTK21	17 3/4"	VB21, VB2135, VCD42DR/L, VCD4235DR/L, VSB42
VTK24	20 3/4"	VB24, VB2435, VSB24, VSB2435, VSBT60-3D, VSBT60-4D
VTK27B	23 3/4"	VB2735BFH, VSB27B, VSB2735B
VTK30B	26 3/4"	VB30BFH, VB3035BFH, VSB30B, VSB3035B
VTK33	13 1/4"	VB3335FH, VCD33DR/L, VCD3335DR/L, VSB33, VSB3335
VTK36B	32 3/4"	VB36BFH, VB3635BFH, VSB36B, VSB3635B, VSB36B-2D, VSB3635B-2D
VTK39	16 1/4"	VB3935FH, VSB3935-2D

Roll-Out Trays - Solid Wood



10a

- ROT1524**
- ROT1824**
- ROT2424**
- ROT4524**

- Installs in base and 24" deep utility cabinets
- Base cabinets utilize pre-drilled holes in back panel
- Utility cabinets utilize holes in end panels
- ROT1524, ROT1824, and ROT2424 include brackets and screws for installing in single door Utility cabinets
- Natural finish
- Includes tray core box, 3/4 extension left and right slides and installation hardware
- Solid hardwood tray core with 3/4" thick front and 1/2" thick sides and back
- 3/16" thick plywood bottom panel finished on the top side with a moisture and stain resistant, easy clean laminate with printed matching wood grain
- Double-door cabinets with center stile require two kits if installing a tray on each side

Roll-Out Trays-Solid Wood		
Item	Tray Width	For Use In:
ROT1524	11 3/4"	B15, B15FH, B30, B30FH, SB15, SB30, U158424, U159024, U159624, U308424, U309024, U309624, UB15, UB30, USB30
ROT1824	14 3/4"	B18, B18FH, B36, B36FH, SB18, SB36, U188424, U189024, U189624, U368424, U369024, U369624, UB18, UB36, USB36
ROT2424	20 3/4"	B24, B24FH, B48, B48FH, SB24, SB48, U248424, U249024, U249624, UB24
ROT4524	19 1/4"	B45, BBC48/51, SB45

Support and Valances

Construction Options and Modifications

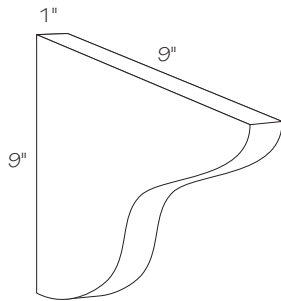
BR	Birch	-----	②
LM	Laminate	-----	②

- ❖ Included as standard
 - Available with an upcharge
 - ☆ Available with exceptions
- (Blank) **Not** available

⑩a

CTSB-2

Countertop Support Bracket



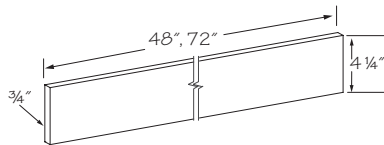
⑩a

CTSB-2

- Solid wood
- Vertical wood grain (when applicable)
- For use as additional shelf or countertop support
- Includes two recessed metal keyhole brackets installed on backside
- Mounting hardware included
- Sold in pairs

❖	BR	②
❖	LM	②

Valance Contemporary



⑩a

V48C V72C

- 3/4" thick solid wood
- Square edges
- Trimmable
- Finished on both sides and both long edges
- Painted hardwood supplied for painted and laminate finishes

❖	BR	②
❖	LM	②

Moldings

Construction Options and Modifications

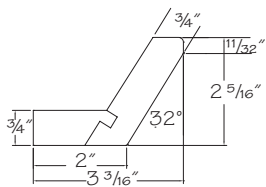
BR	Birch	-----	(2)
LM	Laminate	-----	(2)

- ❖ Included as standard
 - Available with an upcharge
 - ☆ Available with exceptions
- (Blank) **Not** available

10a

ACM8

Angle Crown Molding



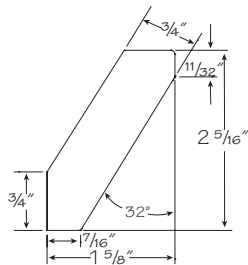
10a

Solid Wood
ACM8
ACM8-6

- 8' lengths
- For use with traditional or full overlay door styles
- Installs directly to top of cabinet
- All finishes supplied as painted or stained hardwood
- Backs are unfinished
- Allow sufficient space between top of cabinet and soffit or ceiling to accommodate molding
- Offered individually or in quantities of 6 per carton (see code ending in -6)

❖ BR (2)
❖ LM (2)

Angle Crown Molding Face Mount



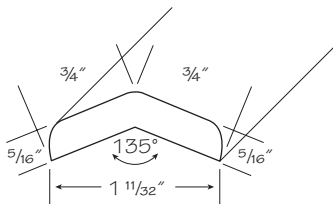
10a

Solid Wood
ACMFM8
ACMFM8-6

- 8' lengths
- All finishes supplied as painted or stained hardwood
- Backs are unfinished
- Allow sufficient space between top of cabinet and soffit or ceiling to accommodate molding
- Offered individually or in quantities of 6 per carton (see code ending in -6)

❖ BR (2)
❖ LM (2)

Angled Outside Corner Molding - 135°



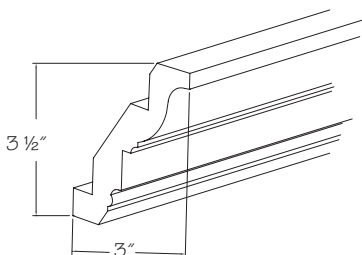
10a

Solid Wood
AOSC8

- 8' lengths
- Used to cover joint when two panels meet at 135°
- All finishes supplied as painted or stained hardwood
- Backs are unfinished

❖ BR (2)
❖ LM (2)

Classic Crown Molding

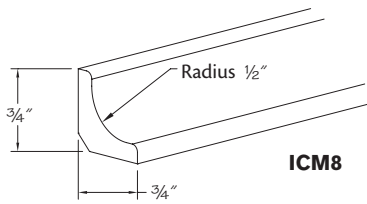


10a

8' length
Solid Wood
CCM8
12' length
Paper Wrapped
CCM12

- ☆ CCM8: Available in Birch finishes; supplied as painted or stained hardwood; offered in individual 8' lengths
- ☆ CCM12: Available in White and Grey; offered in individual 12' lengths
- Backs are unfinished
- Allow sufficient space between top of cabinet and soffit or ceiling to accommodate molding

☆ BR (2)
☆ LM (2)



ICM8

Corner Molding

(10a)

Inside Corner Molding
Solid Wood or Paper Wrapped

ICM8
ICM8-10

Woodgrain Print
ICM8P
ICM8P-10

(10a)

Outside Corner Molding
Solid Wood or Paper Wrapped

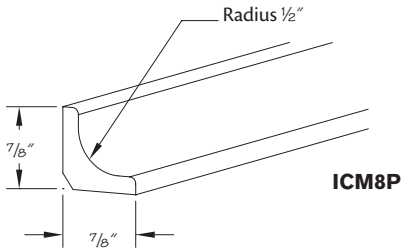
OSC8
OSC8-10

Woodgrain Print
OSC8P
OSC8P-10

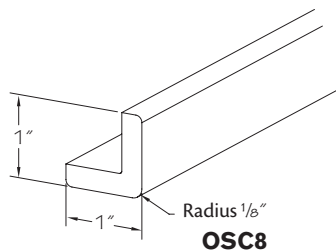
- 8' lengths
- ☆ ICM8, ICM8-10, OSC8, OSC8-10: Solid wood painted or stained finishes supplied as painted hardwood, except Laminate, which is paper wrapped
- ☆ ICM8P, ICM8P-10, OSC8P, OSC8P-10: Available in Boardwalk, Pecan, Steel Grey and Twilight finishes only
- Backs are unfinished
- Offered individually or in quantities of 10 per carton (see codes ending in -10)

☆ BR (2)

☆ LM (2)

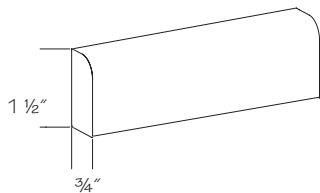


ICM8P



OSC8

Countertop Molding



(10a)

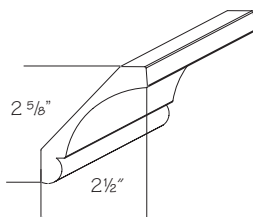
Solid Wood
CTR8
CTR8-10

- 8' lengths
- Used as countertop nosing
- Can be used under wall cabinets to conceal light fixtures
- All finishes supplied as painted or stained hardwood
- Backs are unfinished
- Offered individually or in quantities of 10 per carton (see code ending in -10)

❖ BR (2)

❖ LM (2)

Cove Large Molding



(10a)

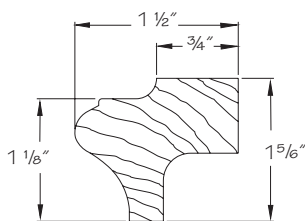
Solid Wood
CVLM8
CVLM8-4

- 8' lengths
- All finishes supplied as painted or stained hardwood
- Backs are unfinished
- Allow sufficient space between top of cabinet and soffit or ceiling to accommodate molding
- Offered individually or in quantities of 4 per carton (see code ending in -4)

❖ BR (2)

❖ LM (2)

Cove Light Rail Molding



(10a)

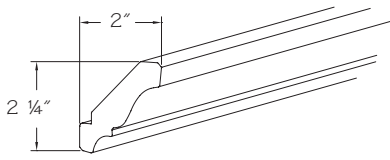
Solid Wood
CVLR8
CVLR8-6

- 8' lengths
- Can be used under wall cabinets to conceal light fixtures
- All finishes supplied as painted or stained hardwood
- Backs are unfinished
- Offered individually or in quantities of 6 per carton (see code ending in -6)

❖ BR (2)

❖ LM (2)

Crown Molding



(10a)

Solid Wood

CM8

CM8-10

Woodgrain Print

CM8P

CM8P-10

Paper Wrapped

CM12

☆ CM8, CM8-10: Available in Birch and Laminate finishes; supplied as painted or stained hardwood; offered in individual 8' lengths

☆ BR (2)

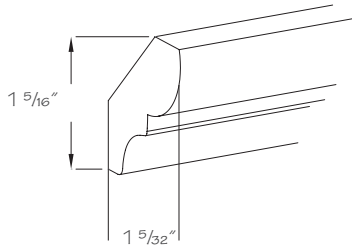
☆ LM (2)

☆ CM8P, CM8P-10: Available in Boardwalk, Pecan, Steel Grey and Twilight finishes only; offered in individual 8' lengths

☆ CM12: Available in White and Grey; offered in individual 12' lengths

- Allow sufficient space between top of cabinet and soffit or ceiling to accommodate molding
- Backs are unfinished
- Offered individually or in quantities of 10 per carton (see codes ending in -10)

Crown Soffit Molding



(10a)

Solid Wood

CSM8

CSM8-10

• 8' lengths

• All finishes supplied as painted or stained hardwood

• Backs are unfinished

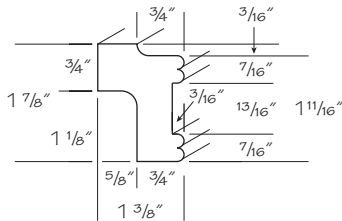
• Allow sufficient space between top of cabinet and soffit or ceiling to accommodate molding

• Offered individually or in quantities of 10 per carton (see code ending in -10)

❖ BR (2)

❖ LM (2)

Inset Light Rail



(10a)

Solid Wood

ILR8

ILR8-6

• 8' lengths

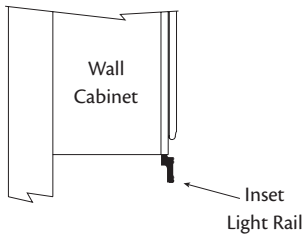
• Can be used under wall cabinets to conceal light fixtures

• All finishes supplied as painted or stained hardwood

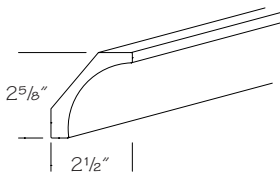
• Offered individually or in quantities of 6 per carton (see code ending in -6)

❖ BR (2)

❖ LM (2)



Large Sterling Crown Molding



(10a)

Solid Wood

LSTCM8

• 8' lengths

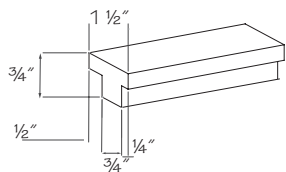
• All finishes supplied as painted or stained hardwood

• Backs are unfinished

❖ BR (2)

❖ LM (2)

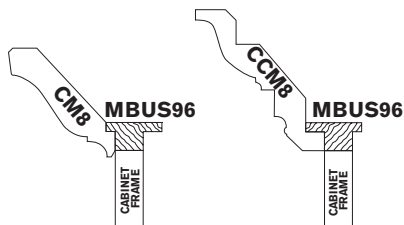
Molding Build-Up Strip 96"



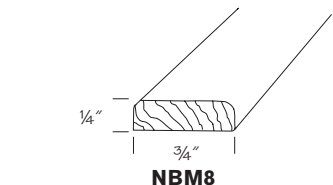
(10a)
Unfinished Soft Wood
MBUS96
MBUS96-6

- 8' lengths
- "V" notch on back of Crown Molding required
- Designed for Crown Molding installation. Allows installer to fasten molding without face nailing.
- Offered individually or in quantities of 6 per carton (see code ending in -6)

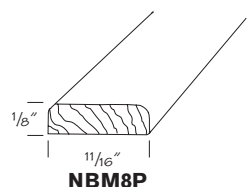
BR (2)
LM (2)



Narrow Batten Molding



NBM8



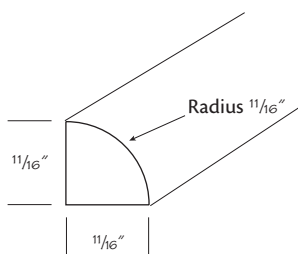
NBM8P

(10a)
Solid Wood or Paper Wrapped
NBM8
NBM8-20
Woodgrain Print
NBM8P
NBM8P-20

- 8' lengths
- ☆ NBM8, NBM8-20: Solid wood painted or stained hardwood, except White and Grey, which are paper wrapped
- ☆ NBM8P, NBM8P-20: Available in Boardwalk, Pecan, Steel Grey and Twilight finishes only
- Backs are unfinished
- Offered individually or in quantities of 20 per carton (see codes ending in -20)

☆ **BR** (2)
☆ **LM** (2)

Quarter Round Molding

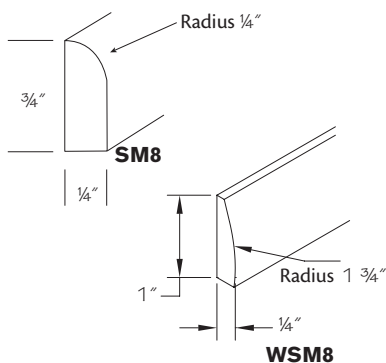


(10a)
Solid Wood or Paper Wrapped
QR8
QR8-10

- 8' lengths
- Can be used to trim between toe kick and floor
- Solid wood, except White and Grey
- ☆ White and Grey are paper wrapped
- ☆ Birch finishes supplied as painted or stained hardwood
- Backs are unfinished
- Moldings may be shipped with the back corner mitered off
- Offered individually or in quantities of 10 per carton (see code ending in -10)

☆ **BR** (2)
☆ **LM** (2)

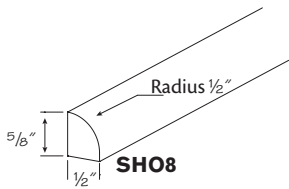
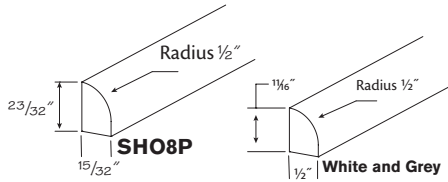
Scribe Molding



(10a)
Scribe Molding
Solid Wood or Paper Wrapped
SM8
SM8-20
Woodgrain Print
SM8P
SM8P-20
Wide Scribe Molding
Solid Wood or Paper Wrapped
WSM8
WSM8-10
Woodgrain Print
WSM8P
WSM8P-10

- 8' lengths
- ☆ SM8, SM8-20, WSM8, WSM8-10: Solid wood supplied as painted or stained hardwood, except White and Grey, which are paper wrapped
- ☆ SM8P, SM8P-20, WSM8P, WSM8P-10: Available in Boardwalk, Pecan, Steel Grey and Twilight finishes only
- Backs are unfinished
- Offered individually or in quantities of 10 or 20 per carton (see codes ending in -10 or -20)

☆ **BR** (2)
☆ **LM** (2)

**SHO8****SHO8P****White and Grey**

Shoe Molding

(10a)

*Solid Wood or Paper Wrapped***SHO8
SHO8-25***Woodgrain Print***SHO8P
SHO8P-25**

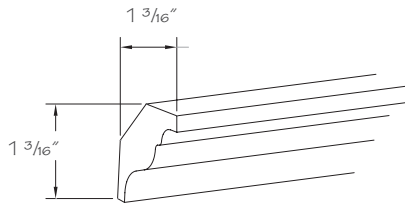
- 8' lengths
- Used as inside corner molding or trim between toe kick and floor
- ☆ SHO8, SHO8-25: Solid wood painted or stained hardwood, except White and Grey, which are paper wrapped
- ☆ SHO8P, SHO8P-25: Available in Boardwalk, Pecan, Steel Grey and Twilight finishes only
- Backs are unfinished
- Offered individually or in quantities of 25 per carton (see codes ending in -25)

☆ BR (2)

☆ LM (2)

Soffit Crown Molding

(10a)

*Paper Wrapped***SCM8**

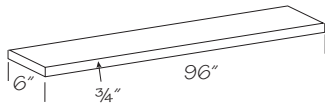
- 8' lengths
- Available in White and Grey only
- Backs are unfinished
- Allow sufficient space between top of cabinet and soffit or ceiling to accommodate molding

BR (2)

LM (2)

Solid Wood Stock

(10a)

*Solid Wood***SWS8**

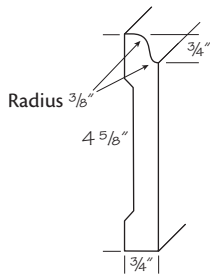
- 8' lengths
- Grain direction runs lengthwise
- Can be used for valance, filler, shelf or other matching finish, cut-to-size applications
- Finished on both sides and both long edges

❖ BR (2)

❖ LM (2)

Traditional Furniture Base

(10a)

*Solid Wood***TFB8**

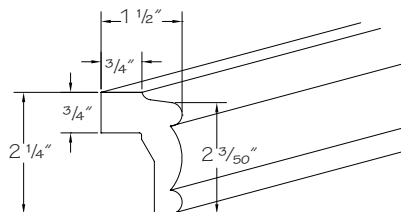
- 8' lengths
- Available in all finishes
- All finishes supplied as painted or stained hardwood
- Backs are unfinished

❖ BR (2)

❖ LM (2)

Traditional Light Rail

(10a)

*Solid Wood***TLR8
TLR8-6**

- 8' lengths
- Can be used under wall cabinets to conceal light fixtures
- All finishes supplied as painted or stained hardwood
- Offered individually or in quantities of 6 per carton (see code ending in -6)

❖ BR (2)

❖ LM (2)

Hardware

Color variation may exist between decorative hardware designs that share same finish color name.

10a

PULL4068MN



Alton Collection

10a

Pull

PULL4068MN

Matte Nickel

1 1/4" center

• Metric thread screws included

Amelia Collection



10a

Knob

KNOB4034ORB
KNOB4034SN

Oil Rubbed Bronze
Satin Nickel

Pull

PULL4035ORB
PULL4035SN

Oil Rubbed Bronze
Satin Nickel

PULL4036ORB
PULL4036SN

Oil Rubbed Bronze
Satin Nickel

3 3/4" center
3 3/4" center
6 5/16" center
6 5/16" center

• Standard thread screws included

Boston Collection



10a

Pull

PULL4039BN
PULL4040BN
PULL4041BN

Brushed Nickel
Brushed Nickel
Brushed Nickel

3 3/4" center
5 1/16" center
7 9/16" center

• Metric thread screws included

Brexler Collection



10a

Knob

KNOB4016DORB
KNOB4015SS

Dark Oil Rubbed Bronze
Stainless Steel

• Metric thread screws included

Canyon Collection



10a

Knob

KNOB4008DORB

Dark Oil Rubbed Bronze

• Metric thread screws included

Cypress Collection



10a

Knob

KNOB4058ORB

Oil Rubbed Bronze

Pull

PULL4057ORB

Oil Rubbed Bronze

3" center

• Standard thread screws included

Dodson Collection

10a

Knob
KNOB4006MN Matte Nickel

• Metric thread screws included

Driscoll Collection

10a

Knob
KNOB4065SN Satin Nickel
Pull
PULL4066SN Satin Nickel

5 1/16" center

• Standard thread screws included

Elle Collection

10a

Pull
PULL4052PC Polished Chrome

3 3/4" center

• Metric thread screws included

Flex Collection

10a

Standard Pull
PULL4052MB Matte Black
PULL4053MB Matte Black
PULL4054MB Matte Black
Appliance Pull
PULL4055MB Matte Black

3 3/4" center

5 1/16" center

7 9/16" center

11 5/16" center

• Metric thread screws included

Halifax Collection

10a

Pull
PULL4061BBS Brushed Brass 3 3/4" center
PULL4061MB Matte Black 3 3/4" center
PULL4061PC Polished Chrome 3 3/4" center
PULL4061SS Stainless Steel 3 3/4" center
PULL4062BBS Brushed Brass 5 1/16" center
PULL4062MB Matte Black 5 1/16" center
PULL4062PC Polished Chrome 5 1/16" center
PULL4062SS Stainless Steel 5 1/16" center
PULL4063BBS Brushed Brass 7 9/16" center
PULL4063MB Matte Black 7 9/16" center
PULL4063PC Polished Chrome 7 9/16" center
PULL4063SS Stainless Steel 7 9/16" center
PULL4064BBS Brushed Brass 8 13/16" center
PULL4064MB Matte Black 8 13/16" center
PULL4064PC Polished Chrome 8 13/16" center
PULL4064SS Stainless Steel 8 13/16" center

• Metric thread screws included

Keene Collection



10a

Round Knob

KNOB4048BLB Black Bronze
KNOB4048SN Satin Nickel

Square Knob

KNOB4047BLB Black Bronze
KNOB4047SN Satin Nickel

Standard Pull

PULL4049BLB Black Bronze 3" center
PULL4049SN Satin Nickel 3" center
PULL4050BLB Black Bronze 6 5/16" center
PULL4050SN Satin Nickel 6 5/16" center

Appliance Pull

PULL4051BLB Black Bronze 12" center
PULL4051SN Satin Nickel 12" center

• Standard thread screws included

Keystone Collection



10a

Pull

PULL4003SN Satin Nickel 3 3/4" center

• Standard thread screws included

Mallard Collection



10a

Cup Pull

PULL4060DORB Dark Oil Rubbed Bronze 3 1/8" center
PULL4060MN Matte Nickel 3 1/8" center

• Metric thread screws included

Meridian Collection



10a

Knob

KNOB4056BLN Black Nickel
KNOB4056DORB Dark Oil Rubbed Bronze
KNOB4056MC Matte Chrome
KNOB4056PC Polished Chrome
KNOB4056SS Stainless Steel

• Standard thread screws included

Metropolitan Collection



10a

Pull

PULL4011SS Stainless Steel 2 1/2" center
PULL4012SS Stainless Steel 3 3/4" center
PULL4013SS Stainless Steel 5 1/16" center
PULL4014SS Stainless Steel 8 13/16" center

• Metric thread screws included

Montreal Collection



10a

Pull

PULL4005SS Stainless Steel 3 3/4" center

• Metric thread screws included

Oasis Collection



10a

Pull

PULL4059BLN Black Nickel 5 1/16" center
PULL4059MN Matte Nickel 5 1/16" center

• Metric thread screws included

Ogden Collection

10a

Pull
PULL4001ORB Oil Rubbed Bronze 3 3/4" center

• Metric thread screws included

Porter Collection

10a

Cup Pull
PULL4000ORB Oil Rubbed Bronze 2 1/2" center

• Metric thread screws included

Quinn Collection

10a

Pull
PULL4004SN Satin Nickel 5 1/16" center

• Metric thread screws included

Sloan Collection

10a

Pull
PULL4026BN Brushed Nickel 3 1/2" center
PULL4026ORB Oil Rubbed Bronze 3 1/2" center
PULL4026PC Polished Chrome 3 1/2" center
PULL4027BN Brushed Nickel 5 1/16" center
PULL4027ORB Oil Rubbed Bronze 5 1/16" center
PULL4027PC Polished Chrome 5 1/16" center
PULL4028BN Brushed Nickel 6 5/16" center
PULL4028ORB Oil Rubbed Bronze 6 5/16" center
PULL4028PC Polished Chrome 6 5/16" center
PULL4029BN Brushed Nickel 7 9/16" center
PULL4029ORB Oil Rubbed Bronze 7 9/16" center
PULL4029PC Polished Chrome 7 9/16" center

• Metric thread screws included

Stockton Collection

10a

Knob
KNOB4022PWCP Pewter & Copper
Pull
PULL4023PWCP Pewter & Copper 3 3/4" center

• Metric thread screws included

Suitcase Collection

10a

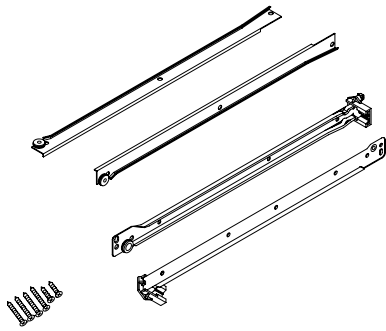
Pull
PULL4024DORB Dark Oil Rubbed Bronze 3 3/4" center
PULL4024MN Matte Nickel 3 3/4" center
PULL4024PN Polished Nickel 3 3/4" center

• Metric thread screws included

Replacement Hardware

10a

GDESM18KIT



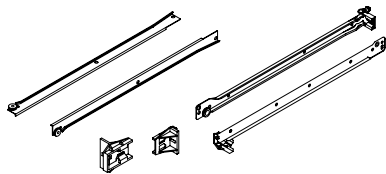
3/4 Extension Side Mount Roller Guide Kit

10a

GDESM18KIT
GDESM21KIT
GDESM24KIT

- 75 lbs. capacity
- White epoxy coated steel
- Kit includes left and right guides and mounting hardware
- 18 deep used on 18" deep cabinets
- 21 deep used on 21" deep cabinets
- 24 deep used on 24" deep cabinets

3/4 Extension Side Mount Roller Guide Peninsula Base Kit



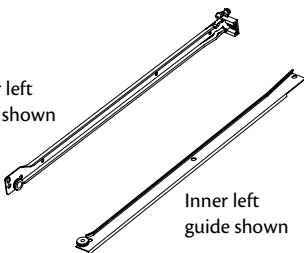
10a

GDESMPB24KIT

- 75 lbs. capacity
- White epoxy coated steel
- Kit includes left and right guides and mounting hardware
- Used on Peninsula Base (PB) cabinets

3/4 Extension Side Mount Roller Guides

Outer left
guide shown



Inner left
guide shown

10a

Inner Left
GDESMIL18
GDESMIL18-10
GDESMIL21
GDESMIL21-10
GDESMIL24
GDESMIL24-10

Inner Right
GDESMIR18
GDESMIR18-10
GDESMIR21
GDESMIR21-10
GDESMIR24
GDESMIR24-10

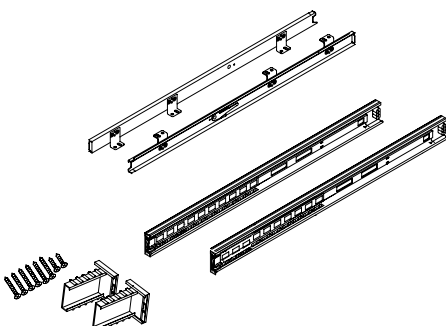
10a

Outer Left
GDESMOL18
GDESMOL18-10
GDESMOL21
GDESMOL21-10
GDESMOL24
GDESMOL24-10

Outer Right
GDESMOR18
GDESMOR18-10
GDESMOR21
GDESMOR21-10
GDESMOR24
GDESMOR24-10

- 75 lbs. capacity
- White epoxy coated steel
- 18 deep used on 18" deep cabinets
- 21 deep used on 21" deep cabinets
- 24 deep used on 24" deep cabinets
- Offered individually or in quantities of 10 per carton (see codes ending in -10)

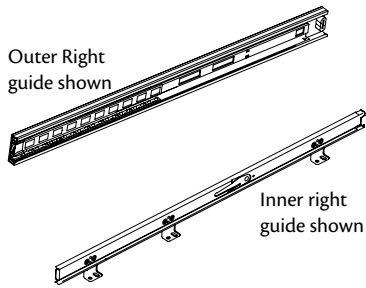
Full Extension Side Mount Ball Bearing Guide Kit



10a

21" Deep
GDEFESMBB21KIT
24" Deep
GDEFESMBB24KIT

- 75 lbs. capacity
- 21 deep used on 21" deep cabinets
- 24 deep used on 24" deep cabinets
- Full extension guide, pulls out past the face frame
- Kit includes left and right guides and mounting hardware



Full Extension Side Mount Ball Bearing Guides

⑩a

Inner Left

GDEFESMBBIL21
GDEFESMBBIL21-10
GDEFESMBBIL24
GDEFESMBBIL24-10

⑩a

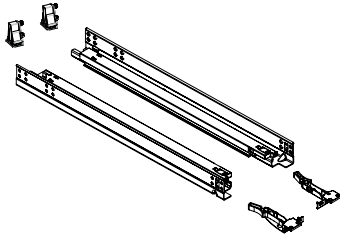
Inner Right

GDEFESMBBIR21
GDEFESMBBIR21-10
GDEFESMBBIR24
GDEFESMBBIR24-10

Outer

GDEFESMBO21
GDEFESMBO21-10
GDEFESMBO24
GDEFESMBO24-10

- 75 lbs. capacity
- Full extension guide, pulls out past the face frame
- 21 deep used on 21" deep cabinets
- 24 deep used on 24" deep cabinets
- Offered individually or in quantities of 10 per carton (see codes ending in -10)

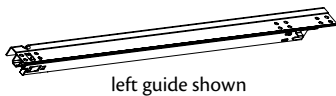


Full Extension Under Mount Soft-Close Guide Kit

⑩a

GDEUMFESA18KIT
GDEUMFESA21KIT
GDEUMFESA24KIT

- 75 lbs. capacity
- Full extension guide, pulls out past the face frame
- Integrated soft-close closing mechanism
- Kit includes left and right guides and mounting hardware
- 18 deep used on 18" deep cabinets
- 21 deep used on 21" deep cabinets
- 24 deep used on 24" deep cabinets



Full Extension Under Mount Soft-Close Guides

⑩a

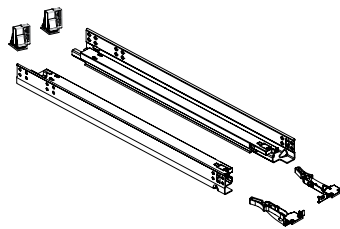
Left

GDEUMFESAL18
GDEUMFESAL21
GDEUMFESAL24

Right

GDEUMFESAR18
GDEUMFESAR21
GDEUMFESAR24

- 75 lbs. capacity
- Full extension guide, pulls out past the face frame
- Integrated soft-close closing mechanism
- 18 deep used on 18" deep cabinets
- 21 deep used on 21" deep cabinets
- 24 deep used on 24" deep cabinets

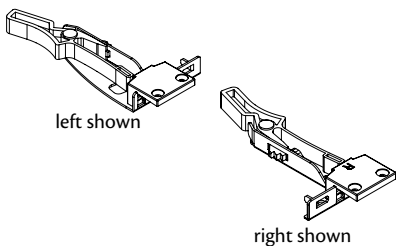


Full Extension Under Mount Soft-Close Peninsula Base Guide Kit

⑩a

GDEUMFESAPB24KIT

- 75 lbs. capacity
- Full extension guide, pulls out past the face frame
- Integrated soft-close closing mechanism
- 24 deep used on 24" deep cabinets



Locking Device - Full Extension Under Mount Soft-Close Guides

⑩a

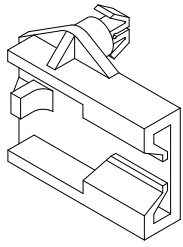
Left

LKDVMFESAGDEL

Right

LKDVMFESAGDER

- LKDVMFESAGDEL attaches under left front corner of drawer core
- LKDVMFESAGDER attaches under right front corner of drawer core

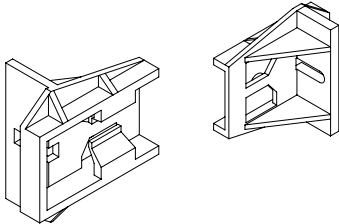


Rear Mounting Bracket - 3/4 Extension Side Mount Roller Guides

10a

RMBSMGDE
RMBSMGDE-25

- Attaches using the guide holes in the back of the cabinet
- For use with 3/4 Extension Side Mount Roller Guides
- Offered individually or in quantities of 25 per carton (see code ending in -25)

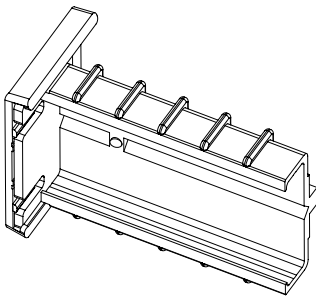


Rear Mounting Bracket - 3/4 Extension Side Mount Roller Guides Peninsula Base

10a

RMBSMGDEPB
RMBSMGDEPB-2

- Attaches to back frame of cabinet using a screw
- For use with Peninsula Base cabinets with 3/4 Extension Side Mount Roller Guides
- Offered individually or in quantities of 2 per carton (see code ending in -2)

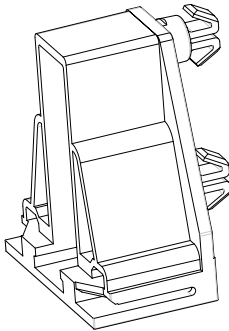


Rear Mounting Bracket - Full Extension Side Mount Ball Bearing Guides

10a

RMBFESMBBGDE

- Attaches using the guide holes in the back of the cabinet

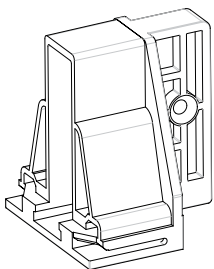


Rear Mounting Bracket - Full Extension Under Mount Soft-Close Guides

10a

RMBUMFESAGDE-2

- Attaches using the guide holes in the back of the cabinet
- Sold in pairs

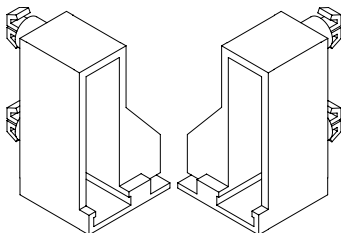


Rear Mounting Bracket - Full Extension Under Mount Soft-Close Guides Peninsula Base

10a

RMBUMFESAGDEPB-2

- Attaches to back frame of cabinet using a screw
- Sold in pairs



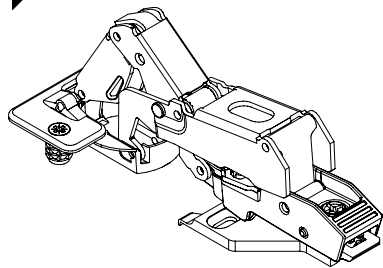
Rear Mounting Bracket - Full Extension Under Mount Soft-Close Guides DKD

10a

RMBUMFESAGDEDKDSET

- Attaches using the guide holes in the back of the cabinet
- Includes a left and right rear mounting bracket

New



170 Degree Hinge

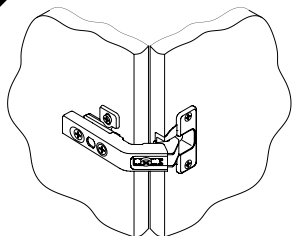
10a

HINFRM2DRBIFOLD

Grey color coding indicates new product, size or code.

- Nickel plated finish
- Includes hinge and mounting plate
- Used on Traditional and Full Overlay Base Corner Revolving and Base Corner Fixed Shelf cabinets
- Pack size 1

New



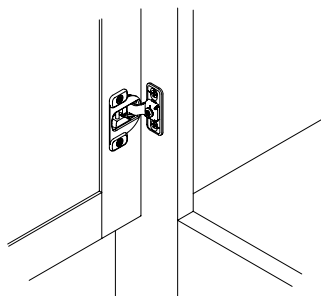
Bi-Fold Hinge

10a

HINDR2DRBIFOLD

Grey color coding indicates new product, size or code.

- Nickel plated finish
- Includes hinge and mounting plate
- Used on Traditional and Full Overlay Base Corner Revolving and Base Corner Fixed Shelf cabinets
- Pack size 1



Face Mount Hinge

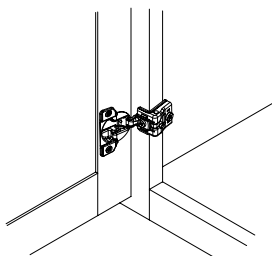
10a

HINFM-1PR
HINFM-10PR

SoftAction functionality

HINSCFM-1PR
HINSCFM-10PR

- Nickel plated finish
- Used on Oven Cabinet Universal cabinets
- Offered individually as a pair (2 hinges) or in quantities of 10 pairs (20 hinges) per carton (see codes ending in -10PR)



Full Overlay 6 Way Hinge

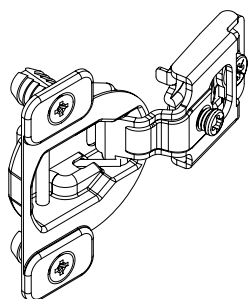
10a

HINFOL6WY-1PR
HINFOL6WY-10PR

SoftAction functionality

HINSCFOL6WY-1PR
HINSCFOL6WY-10PR

- Nickel plated finish
- 6 way door adjustment
- Includes hinges and mounting screws
- Used on Full Overlay cabinets
- Offered individually as a pair (2 hinges) or in quantities of 10 pairs (20 hinges) per carton (see codes ending in -10PR)



Traditional Overlay 6 Way Hinge

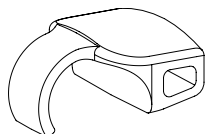
10a

HINTOL6WY-1PR
HINTOL6WY-10PR

SoftAction functionality

HINSCFOL6WY-1PR
HINSCFOL6WY-10PR

- Nickel plated finish
- 6 way door adjustment
- Includes hinges and mounting screws
- Used on Traditional Overlay cabinets
- Offered individually as a pair (2 hinges) or in quantities of 10 pairs (20 hinges) per carton (see codes ending in -10PR)



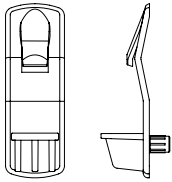
SoftAction Angle Restrictor Clip

10a

SCARC-4
SCARC-10

- Reduces opening angle to 85°
- Works with SoftAction hinge, traditional and full overlay door styles
- Cannot be used in cabinets that are installed with accessories, such as trays
- Offered in a 4 or 10 pack (see codes ending in -4 or -10)

Shelf Clips



10a

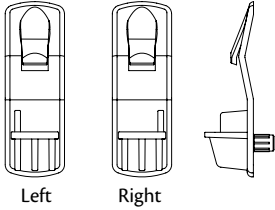
1/2" Shelf Clip
SHCLP12
SHCLP12-20
SHCLP12-100

10a

3/4" Shelf Clip
SHCLP34
SHCLP34-20
SHCLP34-100

- Clear plastic locking clip
- Offered individually, in 20 packs or in 100 packs (see codes ending in -20 or -100)

Shelf Clip with Stop



Left

Right

10a

1/2" Shelf Clip, Left
SHCLPLK12L
SHCLPLK12L-20
 1/2" Shelf Clip, Right
SHCLPLK12R
SHCLPLK12R-20

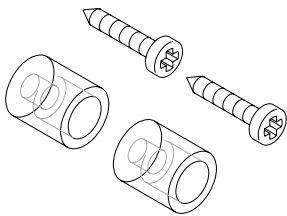
10a

3/4" Shelf Clip, Left
SHCLPLK34L
SHCLPLK34L-20
 3/4" Shelf Clip, Right
SHCLPLK34R
SHCLPLK34R-20

- Clear plastic locking clip with front edge restraint
- Used for base cabinets with Half Depth Shelf Option
- Offered individually or in a 20 pack (see codes ending in -20)

Grey color coding indicates new product, size or code.

Shelf Support Back Pack

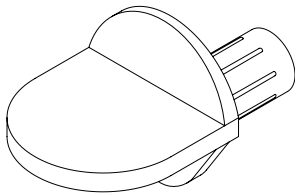


10a

SHSUPBPK
SHSUPBPK-100

- Clear plastic shelf support back
- Includes 2 supports and 2 screws per pack
- Used to support the back edge of shelf, attaches to back of cabinet with a screw
- Offered individually or in a 100 pack (see code ending in -100)

Shelf Support Center

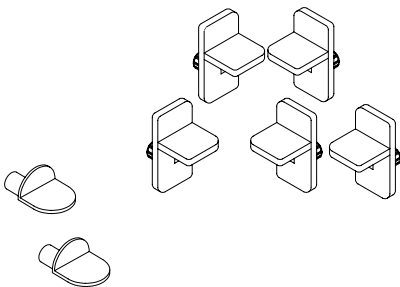


10a

SHSUPC
SHSUPC-10

- Clear plastic center shelf support
- Used to support the front edge of shelf, insert into hole in back of center stile
- Offered individually or in a 10 pack (see code ending in -10)

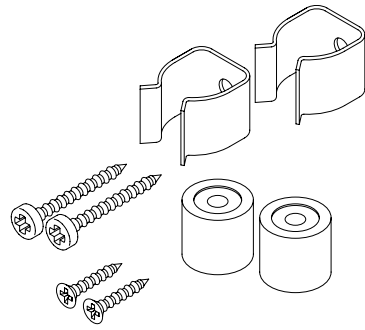
Shelf Support Pack



10a

SHSUPPK
SHSUPPK-25

- Clear plastic shelf support/center shelf support
- Includes 5 supports and 2 center shelf support
- Used in Bookcase cabinets
- Offered individually or in a 25 pack (see code ending in -25)

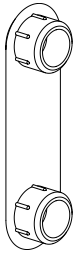


Vent Clip Pack

10a

**VNTCLPPK
VNTCLPPK-25**

- Used to attach false drawer fronts on Sink Base and select Vanity Cabinets
- Includes two clips, two posts and four mounting screws per pack
- Offered individually or in a 25 pack (see code ending in -25)

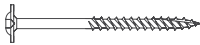


Back Plugs

10a

**BACKPLUG2H-10
BACKPLUG2H-100**

- Clear plastic plugs for base and vanity cabinet back panel factory drilled holes
- Each plug fills a pair of 10mm holes
- Offered in a 10 or 100 pack (see codes ending in -10 or -100)

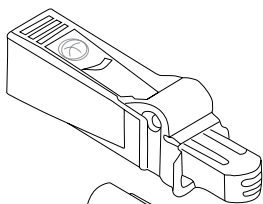


Installation Screws

10a

INSTALLSCREWS-100

- Used to secure cabinets to the wall and face frames together
- Pack size 100

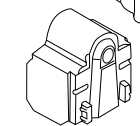


SoftAction Door Hardware

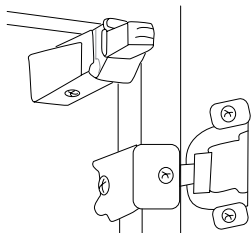
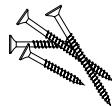
10a

SADO

- Soft-closing technology provides smooth and silent closure of door
- One required per door; U, and UF cabinets require two
- Mounting hardware included
- Pack size 1



Partial overlay spacer and screws



Accessory Hinged Prep for Glass Door Information

- Accessory Hinged Prep for Glass Door (PG) is available in select door styles and sizes. See informational chart for quantities needed for each cabinet
- Unless ordered as a Case Only (CSO), cabinets intending to receive Prep for Glass (PG) doors will ship with original, non-glass doors. If original non-glass doors are not required, cabinets should be ordered as Case Only (CSO) with the appropriate Prep for Glass(PG) size to be installed in the field
- Traditional Overlay available in Collins, Colony or Homestead door styles only
- Full Overlay available in Wesley door style only
- Accessory Hinged doors are prepared for and include hinges; also ships with pliable bumpers attached.

Example for ordering Hinged Prep for Glass Doors: (10) Model + Options

(10a)	(10c)	(10e)	
Model	Hinging Code	Glass Door	Code
AHDO1830	L	PG	(SKU: AHDO1830LPG)
AHDO1830	R	PG	(SKU: AHDO1830RPG)

Cabinet	Prep for Glass Accessory Door	Traditional Overlay Size	Full Overlay Size
BK1530	AHDO1530	13 1/4 x 28	14 5/8 x 29 1/4
BK1536	AHDO1536	13 1/4 x 34	14 5/8 x 35 1/4
BK1542	AHDO1542	13 1/4 x 40	14 5/8 x 41 1/4
BK1830	AHDO1830	16 1/4 x 28	17 5/8 x 29 1/4
BK1836	AHDO1836	16 1/4 x 34	17 5/8 x 35 1/4
BK1842	AHDO1842	16 1/4 x 40	17 5/8 x 41 1/4
BK2130	AHDO2130	19 1/4 x 28	20 5/8 x 29 1/4
BK2136	AHDO2136	19 1/4 x 34	20 5/8 x 35 1/4
BK2142	AHDO2142	19 1/4 x 40	20 5/8 x 41 1/4
BK2430	AHDO2430	22 1/4 x 28	23 5/8 x 29 1/4
BK2436	AHDO2436	22 1/4 x 34	23 5/8 x 35 1/4
BK2442	AHDO2442	22 1/4 x 40	23 5/8 x 41 1/4
BK3030+	AHDO3030B	14 1/16 x 28	14 3/4 x 29 1/4
BK3036+	AHDO3036B	14 1/16 x 34	14 3/4 x 35 1/4
BK3042+	AHDO3042B	14 1/16 x 40	14 3/4 x 41 1/4
BK3630+	AHDO3630B	17 1/16 x 28	17 3/4 x 29 1/4
BK3636+	AHDO3636B	17 1/16 x 34	17 3/4 x 35 1/4
BK3642+	AHDO3642B	17 1/16 x 40	17 3/4 x 41 1/4
BK3030D+	AHDO1530	13 1/4 x 28	14 5/8 x 29 1/4
BK3036D+	AHDO1536	13 1/4 x 34	14 5/8 x 35 1/4
BK3042D+	AHDO1542	13 1/4 x 40	14 5/8 x 41 1/4
BK3630D+	AHDO1830	16 1/4 x 28	17 5/8 x 29 1/4
BK3636D+	AHDO1836	16 1/4 x 34	17 5/8 x 35 1/4
BK3642D+	AHDO1842	16 1/4 x 40	17 5/8 x 41 1/4
OCU3096*+	AHDO1530	13 1/4 x 28	14 5/8 x 29 1/4
OCU3096B*+	AHDO3030B	14 1/16 x 28	14 3/4 x 29 1/4
OCU3396*+	AHDO3330	14 3/4 x 28	16 1/8 x 29 1/4
U1596*	AHDO1530	13 1/4 x 28	14 5/8 x 29 1/4
U159624*	AHDO1530	13 1/4 x 28	14 5/8 x 29 1/4
U1896*	AHDO1830	16 1/4 x 28	17 5/8 x 29 1/4
U189624*	AHDO1830	16 1/4 x 28	17 5/8 x 29 1/4
U2496*	AHDO2430	22 1/4 x 28	23 5/8 x 29 1/4
U249624*	AHDO2430	22 1/4 x 28	23 5/8 x 29 1/4
U3096*+	AHDO1530	13 1/4 x 28	14 5/8 x 29 1/4
U309624*+	AHDO1530	13 1/4 x 28	14 5/8 x 29 1/4
U3096B*+	AHDO3030B	14 1/16 x 28	14 3/4 x 29 1/4
U309624B*+	AHDO3030B	14 1/16 x 28	14 3/4 x 29 1/4
U3696*+	AHDO1830	16 1/4 x 28	17 5/8 x 29 1/4
U369624*+	AHDO1830	16 1/4 x 28	17 5/8 x 29 1/4
U369624B*+	AHDO3630B	17 1/16 x 28	17 3/4 x 29 1/4
U3696B*+	AHDO3630B	17 1/16 x 28	17 3/4 x 29 1/4
W1530	AHDO1530	13 1/4 x 28	14 5/8 x 29 1/4
W1536	AHDO1536	13 1/4 x 34	14 5/8 x 35 1/4
W1542	AHDO1542	13 1/4 x 40	14 5/8 x 41 1/4
W1830	AHDO1830	16 1/4 x 28	17 5/8 x 29 1/4

Cabinet	Prep for Glass Accessory Door	Traditional Overlay Size	Full Overlay Size
W1836	AHDO1836	16 1/4 x 34	17 5/8 x 35 1/4
W1842	AHDO1842	16 1/4 x 40	17 5/8 x 41 1/4
W2130	AHDO2130	19 1/4 x 28	20 5/8 x 29 1/4
W2136	AHDO2136	19 1/4 x 34	20 5/8 x 35 1/4
W2142	AHDO2142	19 1/4 x 40	20 5/8 x 41 1/4
W2430	AHDO2430	22 1/4 x 28	23 5/8 x 29 1/4
W2436	AHDO2436	22 1/4 x 34	23 5/8 x 35 1/4
W2442	AHDO2442	22 1/4 x 40	23 5/8 x 41 1/4
W3030+	AHDO1530	13 1/4 x 28	14 5/8 x 29 1/4
W3030B+	AHDO3030B	14 1/16 x 28	14 3/4 x 29 1/4
W3036+	AHDO1536	13 1/4 x 34	14 5/8 x 35 1/4
W3036B+	AHDO3036B	14 1/16 x 34	14 3/4 x 35 1/4
W3042+	AHDO1542	13 1/4 x 40	14 5/8 x 41 1/4
W3042B+	AHDO3042B	14 1/16 x 40	14 3/4 x 41 1/4
W3330+	AHDO3330	14 3/4 x 28	16 1/8 x 29 1/4
W3336+	AHDO3336	14 3/4 x 34	16 1/8 x 35 1/4
W3342+	AHDO3342	14 3/4 x 40	16 1/8 x 41 1/4
W3630+	AHDO1830	16 1/4 x 28	17 5/8 x 29 1/4
W3630B+	AHDO3630B	17 1/16 x 28	17 3/4 x 29 1/4
W3636+	AHDO1836	16 1/4 x 34	17 5/8 x 35 1/4
W3636B+	AHDO3636B	17 1/16 x 34	17 3/4 x 35 1/4
W3642+	AHDO1842	16 1/4 x 40	17 5/8 x 41 1/4
W3642B+	AHDO3642B	17 1/16 x 40	17 3/4 x 41 1/4
W4230+	AHDO2130	19 1/4 x 28	20 5/8 x 29 1/4
W4236+	AHDO2136	19 1/4 x 34	20 5/8 x 35 1/4
W4242+	AHDO2142	19 1/4 x 40	20 5/8 x 41 1/4
W4830+	AHDO2430	22 1/4 x 28	23 5/8 x 29 1/4
WA2430	AHDO1530WA	Use AHDO3330	14 5/8 X 29 1/4
WA2430	AHDO3330	14 3/4 x 28	Use AHDO1530WA
WA2436	AHDO1536WA	Use AHDO3336	14 5/8 x 35 1/4
WA2436	AHDO3336	14 3/4 x 34	Use AHDO1536WA
WA2442	AHDO1542WA	Use AHDO3342	14 5/8 x 41 1/4
WA2442	AHDO3342	14 3/4 x 40	Use AHDO1542WA
WA2730	AHDO1530WA	Use AHDO3330	14 5/8 X 29 1/4
WA2730	AHDO3330	14 3/4 x 28	Use AHDO1530WA
WA2736	AHDO1536WA	Use AHDO3336	14 5/8 x 35 1/4
WA2736	AHDO3336	14 3/4 x 34	Use AHDO1536WA
WA2742	AHDO1542WA	Use AHDO3342	14 5/8 x 41 1/4
WA2742	AHDO3342	14 3/4 x 40	Use AHDO1542WA
WBC30/3330BL	AHDO3330	14 3/4 x 28	16 1/8 x 29 1/4
WBC30/3330BR	AHDO3330	14 3/4 x 28	16 1/8 x 29 1/4
WBC30/3336BL	AHDO3336	14 3/4 x 34	16 1/8 x 35 1/4
WBC30/3336BR	AHDO3336	14 3/4 x 34	16 1/8 x 35 1/4
WBC30/3342BL	AHDO3342	14 3/4 x 40	16 1/8 x 41 1/4
WBC30/3342BR	AHDO3342	14 3/4 x 40	16 1/8 x 41 1/4

* = Top Door Only + = Order 2 for cabinet

Touch Up Materials



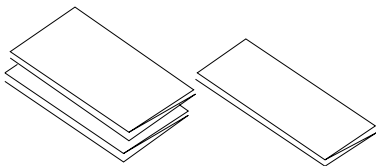
Cabinet Care Kit



CCK

- One 8 oz. squeeze bottle of concentrated wood cleaner
- One 8 oz. squeeze bottle of cabinet/furniture polish and restorer
- Two 13" x 12" cleaning and polishing cloths
- One 17" x 13" dusting cloth
- Direct ship program

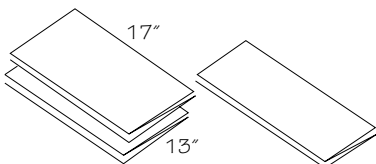
Cabinet Cleaning and Polishing Cloths



CCPC

- 13" x 12" cleaning and polishing cloths
- 25 per carton
- Direct ship program

Cabinet Dusting Cloths



CDC

- Treated to pick up and hold dust within cloth
- Six per carton
- Direct ship program

Cabinet Repair Kit

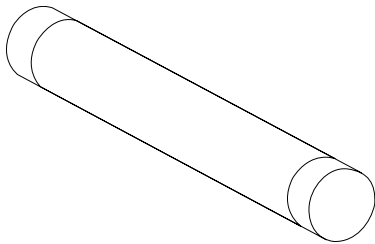


10a

CRK

- Repairs: scratches and chipped areas, open joints, cracks, cavities, finish runs, rough finish, finish edge cut-through, burn marks, spray finish applications, and putty applications
- Kit includes one of each: 13 oz. can Touch-up Primer, 13 oz. can Touch-up Topcoat, 4 oz. can soft putty, 1 oz. tube SeamFil, Touch-up Marker, Fill Stick, 220x Sandpaper, and instruction sheet
- Available in Cotton, Shale, Grey and White only

Fill Stick

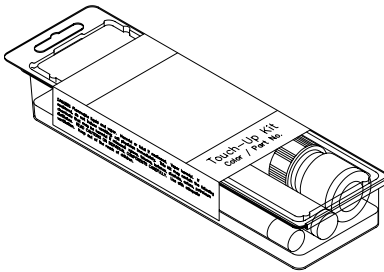


10a

**FS
FS-12**

- Matching putty crayon
- Available in all finishes
- Offered individually or in a 12 pack (see code ending in -12)

Touch Up Kit



10a

TUK

- Available in all finishes
- Used for final touch up and detailing
- Kit includes Touch Up Pen, Fill Stick, a bottle of touch up topcoat and a plastic storage case

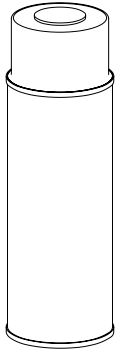
Touch Up Pen



10a

**TP
TP-12**

- Felt tip marker with matching stain or paint
- Available in all finishes
- Offered individually or in a 12 pack (see code ending in -12)

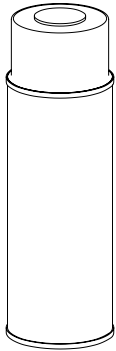


Touch Up Spray Can Primer

10a

TSCP
TSCP-12

- Touch up topcoat paint for Cotton, Shale, Grey and White finishes
- White primer will be shipped for Cotton and Shale paints
- For use with Touch Up Spray Can Topcoat
- 13 oz. aerosol spray can
- Direct ship program
- Offered individually or in a 12 pack (see code ending in -12)

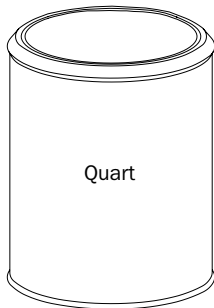


Touch Up Spray Can Topcoat

10a

TST
TST-12

- Touch up topcoat paint for Cotton, Shale, Grey and White finishes
- Color specific topcoat will be shipped
- For use with Touch Up Spray Can Primer
- 13 oz. aerosol spray can
- Direct ship program
- Offered individually or in a 12 pack (see code ending in -12)

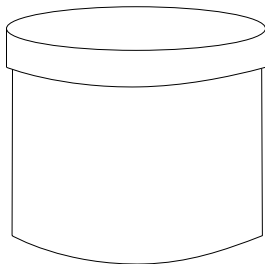


Touch Up Quart

10a

Stain
QST
Paint
QP
Clear Sealer/Topcoat
QCST

- Matching stain, paint, and clear sealer/topcoat
- Available in quarts only
- Direct ship program



Putty

10a

PUTTY

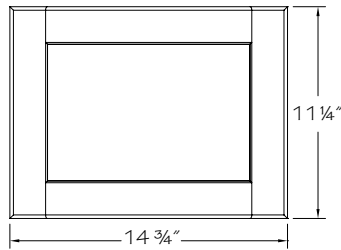
- 4 oz. jar
- Available in Cotton, Shale, Grey and White only

Sales Doors

(10a)

SLDO14.75X11.25

Sales Door

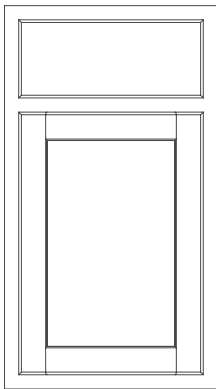


(10a)

SLDO14.75X11.25

- Available in all door styles, species and finishes
- Includes door only

Vanity Front Sample



(10a)

VF12
VF15

- Available in all door styles, species and finishes
- Includes face frame, door, and drawer front from a VB12 or VB15 Vanity cabinet

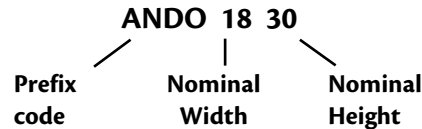
How to Use This Section

This guide details how to understand the accessory door(s), replacement door(s) and drawer front nomenclature. To choose doors and drawer fronts for special decorative applications, use the Sizes section and look in the appropriate overlay column to determine which doors and drawer fronts are needed. Then look up the door(s) and drawer front(s) in the Price List catalog under the price column number appropriate to your door style.

Accessory Non-Drilled Door Information (ANDO)

Accessory non-drilled doors are not prepared for hinges.

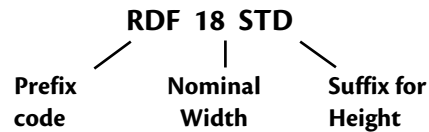
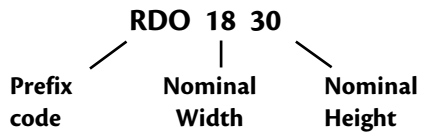
Accessory non-drilled doors are coded for easy reference. The prefix indicates door and usage. The first two digits indicate nominal width and the second two digits indicate nominal height.



Replacement Door and Drawer Front Information (RDO and RDF)

Replacement doors are prepared for hinges. Replacement doors and drawer fronts are shipped with pliable bumpers attached.

Replacement doors and drawer fronts are coded for easy reference. The prefix indicates door or drawer and usage. For replacement doors the first two digits indicate nominal width and the second two digits indicate nominal height. For replacement drawer fronts the first two digits indicate nominal width and the suffix notes the height.



Prefix Codes

Prefix Code Index

ANDO	Accessory Non-Drilled Door
RDF	Replacement Drawer Front
RDO	Replacement Door

Suffix Code Index

B	Butt door
TALL	Tall Door
WA	Wall Angle

Accessory Non-Drilled Door specific codes are as follows:

ANDOBCR33	Accessory non-drilled door for Base Corner Revolving 33
ANDOBCR36	Accessory non-drilled door for Base Corner Revolving 36
ANDOUBCR36	Accessory non-drilled door for Universal Base Corner Revolving 36
ANDOWBC24/27(xx)	Accessory non-drilled door for Wall Blind Corner 24/27 (all heights)

Replacement Door specific codes are as follows:

RDO1524BWBT	Replacement door for Base Wastebasket
RDO1824BWBT	Replacement door for Base Wastebasket
RDOBCR33	Replacement door for Base Corner Revolving 33
RDOBCR36	Replacement door for Base Corner Revolving 36
RDOSFA36	Replacement door for Sink Base Angle 36
RDOSFA42	Replacement door for Sink Front/Sink Base Angle 42
RDOUBCR36	Replacement door for Universal Access Base Corner Revolving 36
RDOUBLS	Replacement door for Universal Access Base Lazy Susan
RDOWBC24/27 (xx)	Replacement door for Wall Blind Corner 24/27 (all heights)

Replacement Drawer Front suffix codes are as follows:

DKD	Desk Knee Drawer
STD	5.500 or 6.125 front height
DP1	9.000 or 9.750 front height
DP2	10.375 or 11.188 front height

ACCESSORY NON-DRILLED DOOR

PART	TRADITIONAL OVERLAY	FULL OVERLAY
ANDO927	7 1/4 X 25	8 5/8 X 26 1/4
ANDO930	7 1/4 X 28	8 5/8 X 29 1/4
ANDO936	7 1/4 X 34	8 5/8 X 35 1/4
ANDO942	7 1/4 X 40	8 5/8 X 41 1/4
ANDO1221	10 1/4 X 18 1/2	11 5/8 X 19 3/4
ANDO1224	10 1/4 X 21 1/2	11 5/8 X 22 3/4
ANDO1230	10 1/4 X 28	11 5/8 X 29 1/4
ANDO1236	10 1/4 X 34	11 5/8 X 35 1/4
ANDO1242	10 1/4 X 40	11 5/8 X 41 1/4
ANDO2724	11 3/4 X 21 1/2	13 1/8 X 22 3/4
ANDO2730	11 3/4 X 28	13 1/8 X 29 1/4
ANDO2736	11 3/4 X 34	13 1/8 X 35 1/4
ANDO2742	11 3/4 X 40	13 1/8 X 41 1/4
ANDO2721B	12 9/16 X 18 1/2	13 1/4 X 19 3/4
ANDO2724B	12 9/16 X 21 1/2	13 1/4 X 22 3/4
ANDO2730B	12 9/16 X 28	13 1/4 X 29 1/4
ANDO2736B	12 9/16 X 34	13 1/4 X 35 1/4
ANDO2742B	12 9/16 X 40	13 1/4 X 41 1/4
ANDO1512	13 1/4 X 10	14 5/8 X 11 1/4
ANDO1515	13 1/4 X 13	14 5/8 X 14 1/4
ANDO1518	13 1/4 X 16	14 5/8 X 17 1/4
ANDO1521	13 1/4 X 18 1/2	14 5/8 X 19 3/4
ANDO1524	13 1/4 X 21 1/2	14 5/8 X 22 3/4
ANDO1527	13 1/4 X 25	14 5/8 X 26 1/4
ANDO1530	13 1/4 X 28	14 5/8 X 29 1/4
ANDO1536	13 1/4 X 34	14 5/8 X 35 1/4
ANDO1542	13 1/4 X 40	14 5/8 X 41 1/4
ANDO15TALL	13 1/4 X 60 1/2	14 5/8 X 61 1/8
ANDO3012B	14 1/16 X 10	14 3/4 X 11 1/4
ANDO3015B	14 1/16 X 13	14 3/4 X 14 1/4
ANDO3018B	14 1/16 X 16	14 3/4 X 17 1/4
ANDO3021B	14 1/16 X 18 1/2	14 3/4 X 19 3/4
ANDO3024B	14 1/16 X 21 1/2	14 3/4 X 22 3/4
ANDO3027B	14 1/16 X 25	14 3/4 X 26 1/4
ANDO3030B	14 1/16 X 28	14 3/4 X 29 1/4
ANDO3036B	14 1/16 X 34	14 3/4 X 35 1/4
ANDO3042B	14 1/16 X 40	14 3/4 X 41 1/4
ANDO30TALLB	14 1/16 X 60 1/2	14 3/4 X 61 1/8
ANDO3315	14 3/4 X 13	16 1/8 X 14 1/4
ANDO3318	14 3/4 X 16	16 1/8 X 17 1/4
ANDO3321	14 3/4 X 18 1/2	16 1/8 X 19 3/4
ANDO3324	14 3/4 X 21 1/2	16 1/8 X 22 3/4
ANDO3330	14 3/4 X 28	16 1/8 X 29 1/4
ANDO3336	14 3/4 X 34	16 1/8 X 35 1/4
ANDO3342	14 3/4 X 40	16 1/8 X 41 1/4
ANDO1812	16 1/4 X 10	17 5/8 X 11 1/4
ANDO1815	16 1/4 X 13	17 5/8 X 14 1/4

ACCESSORY NON-DRILLED DOOR (continued)

PART	TRADITIONAL OVERLAY	FULL OVERLAY
ANDO1818	16 1/4 X 16	17 5/8 X 17 1/4
ANDO1821	16 1/4 X 18 1/2	17 5/8 X 19 3/4
ANDO1824	16 1/4 X 21 1/2	17 5/8 X 22 3/4
ANDO1827	16 1/4 X 25	17 5/8 X 26 1/4
ANDO1830	16 1/4 X 28	17 5/8 X 29 1/4
ANDO1836	16 1/4 X 34	17 5/8 X 35 1/4
ANDO1842	16 1/4 X 40	17 5/8 X 41 1/4
ANDO18TALL	16 1/4 X 60 1/2	17 5/8 X 61 1/8
ANDO3612B	17 1/16 X 10	17 3/4 X 11 1/4
ANDO3615B	17 1/16 X 13	17 3/4 X 14 1/4
ANDO3618B	17 1/16 X 16	17 3/4 X 17 1/4
ANDO3621B	17 1/16 X 18 1/2	17 3/4 X 19 3/4
ANDO3624B	17 1/16 X 21 1/2	17 3/4 X 22 3/4
ANDO3627B	17 1/16 X 25	17 3/4 X 26 1/4
ANDO3630B	17 1/16 X 28	17 3/4 X 29 1/4
ANDO3636B	17 1/16 X 34	17 3/4 X 35 1/4
ANDO3642B	17 1/16 X 40	17 3/4 X 41 1/4
ANDO36TALLB	17 1/16 X 60 1/2	17 3/4 X 61 1/8
ANDO3912	17 3/4 X 10	19 1/8 X 11 1/4
ANDO3915	17 3/4 X 13	19 1/8 X 14 1/4
ANDO3918	17 3/4 X 16	19 1/8 X 17 1/4
ANDO3924	17 3/4 X 21 1/2	19 1/8 X 22 3/4
ANDO3930	17 3/4 X 28	19 1/8 X 29 1/4
ANDO3936	17 3/4 X 34	19 1/8 X 35 1/4
ANDO3942	17 3/4 X 40	19 1/8 X 41 1/4
ANDO2121	19 1/4 X 18 1/2	20 5/8 X 19 3/4
ANDO2124	19 1/4 X 21 1/2	20 5/8 X 22 3/4
ANDO2130	19 1/4 X 28	20 5/8 X 29 1/4
ANDO2136	19 1/4 X 34	20 5/8 X 35 1/4
ANDO2142	19 1/4 X 40	20 5/8 X 41 1/4
ANDO4524	20 3/4 X 21 1/2	22 1/8 X 22 3/4
ANDO4530	20 3/4 X 28	22 1/8 X 29 1/4
ANDO4536	20 3/4 X 34	22 1/8 X 35 1/4
ANDO4542	20 3/4 X 40	22 1/8 X 41 1/4
ANDO2418	22 1/4 X 16	23 5/8 X 17 1/4
ANDO2421	22 1/4 X 18 1/2	23 5/8 X 19 3/4
ANDO2424	22 1/4 X 21 1/2	23 5/8 X 22 3/4
ANDO2430	22 1/4 X 28	23 5/8 X 29 1/4
ANDO2436	22 1/4 X 34	23 5/8 X 35 1/4
ANDO2442	22 1/4 X 40	23 5/8 X 41 1/4
ANDO24TALL	22 1/4 X 60 1/2	23 5/8 X 61 1/8
ANDOBCR33	7 1/4 X 28	7 15/16 X 29 1/4
ANDOBCR36	10 1/4 X 28	10 15/16 X 29 1/4
ANDOUBCR36	10 1/4 X 25	10 15/16 X 26 1/4
ANDOWBC24/2730	8 3/4 X 28	10 1/8 X 29 1/4
ANDOWBC24/2736	8 3/4 X 34	10 1/8 X 35 1/4
ANDOWBC24/2742	8 3/4 X 40	10 1/8 X 41 1/4

REPLACEMENT DOORS		
PART	TRADITIONAL OVERLAY	FULL OVERLAY
RDO927	7 1/4 X 25	8 5/8 X 26 1/4
RDO930	7 1/4 X 28	8 5/8 X 29 1/4
RDO936	7 1/4 X 34	8 5/8 X 35 1/4
RDO942	7 1/4 X 40	8 5/8 X 41 1/4
RDO1221	10 1/4 X 18 1/2	11 5/8 X 19 3/4
RDO1224	10 1/4 X 21 1/2	11 5/8 X 22 3/4
RDO1230	10 1/4 X 28	11 5/8 X 29 1/4
RDO1236	10 1/4 X 34	11 5/8 X 35 1/4
RDO1242	10 1/4 X 40	11 5/8 X 41 1/4
RDO2724	11 3/4 X 21 1/2	13 1/8 X 22 3/4
RDO2730	11 3/4 X 28	13 1/8 X 29 1/4
RDO2736	11 3/4 X 34	13 1/8 X 35 1/4
RDO2742	11 3/4 X 40	13 1/8 X 41 1/4
RDO2721B	12 9/16 X 18 1/2	13 1/4 X 19 3/4
RDO2724B	12 9/16 X 21 1/2	13 1/4 X 22 3/4
RDO2730B	12 9/16 X 28	13 1/4 X 29 1/4
RDO2736B	12 9/16 X 34	13 1/4 X 35 1/4
RDO2742B	12 9/16 X 40	13 1/4 X 41 1/4
RDO1512	13 1/4 X 10	14 5/8 X 11 1/4
RDO1515	13 1/4 X 13	14 5/8 X 14 1/4
RDO1518	13 1/4 X 16	14 5/8 X 17 1/4
RDO1521	13 1/4 X 18 1/2	14 5/8 X 19 3/4
RDO1524	13 1/4 X 21 1/2	14 5/8 X 22 3/4
RDO1527	13 1/4 X 25	14 5/8 X 26 1/4
RDO1530	13 1/4 X 28	14 5/8 X 29 1/4
RDO1536	13 1/4 X 34	14 5/8 X 35 1/4
RDO1542	13 1/4 X 40	14 5/8 X 41 1/4
RDO15TALL	13 1/4 X 60 1/2	14 5/8 X 61 1/8
RDO3012B	14 1/16 X 10	14 3/4 X 11 1/4
RDO3015B	14 1/16 X 13	14 3/4 X 14 1/4
RDO3018B	14 1/16 X 16	14 3/4 X 17 1/4
RDO3021B	14 1/16 X 18 1/2	14 3/4 X 19 3/4
RDO3024B	14 1/16 X 21 1/2	14 3/4 X 22 3/4
RDO3027B	14 1/16 X 25	14 3/4 X 26 1/4
RDO3030B	14 1/16 X 28	14 3/4 X 29 1/4
RDO3036B	14 1/16 X 34	14 3/4 X 35 1/4
RDO3042B	14 1/16 X 40	14 3/4 X 41 1/4
RDO30TALLB	14 1/16 X 60 1/2	14 3/4 X 61 1/8
RDO3315	14 3/4 X 13	16 1/8 X 14 1/4
RDO3318	14 3/4 X 16	16 1/8 X 17 1/4
RDO3321	14 3/4 X 18 1/2	16 1/8 X 19 3/4
RDO3324	14 3/4 X 21 1/2	16 1/8 X 22 3/4
RDO3330	14 3/4 X 28	16 1/8 X 29 1/4
RDO3336	14 3/4 X 34	16 1/8 X 35 1/4
RDO3342	14 3/4 X 40	16 1/8 X 41 1/4
RDO1812	16 1/4 X 10	17 5/8 X 11 1/4
RDO1815	16 1/4 X 13	17 5/8 X 14 1/4
RDO1818	16 1/4 X 16	17 5/8 X 17 1/4

REPLACEMENT DOORS (continued)		
PART	TRADITIONAL OVERLAY	FULL OVERLAY
RDO1821	16 1/4 X 18 1/2	17 5/8 X 19 3/4
RDO1824	16 1/4 X 21 1/2	17 5/8 X 22 3/4
RDO1827	16 1/4 x 25	17 5/8 x 26 1/4
RDO1830	16 1/4 X 28	17 5/8 X 29 1/4
RDO1836	16 1/4 X 34	17 5/8 X 35 1/4
RDO1842	16 1/4 X 40	17 5/8 X 41 1/4
RDO18TALL	16 1/4 X 60 1/2	17 5/8 X 61 1/8
RDO3612B	17 1/16 X 10	17 3/4 X 11 1/4
RDO3615B	17 1/16 X 13	17 3/4 X 14 1/4
RDO3618B	17 1/16 X 16	17 3/4 X 17 1/4
RDO3621B	17 1/16 X 18 1/2	17 3/4 X 19 3/4
RDO3624B	17 1/16 X 21 1/2	17 3/4 X 22 3/4
RDO3627B	17 1/16 X 25	17 3/4 X 26 1/4
RDO3630B	17 1/16 X 28	17 3/4 X 29 1/4
RDO3636B	17 1/16 X 34	17 3/4 X 35 1/4
RDO3642B	17 1/16 X 40	17 3/4 X 41 1/4
RDO36TALLB	17 1/16 X 60 1/2	17 3/4 X 61 1/8
RDO3912	17 3/4 X 10	19 1/8 X 11 1/4
RDO3915	17 3/4 X 13	19 1/8 X 14 1/4
RDO3918	17 3/4 X 16	19 1/8 X 17 1/4
RDO3924	17 3/4 X 21 1/2	19 1/8 X 22 3/4
RDO3930	17 3/4 X 28	19 1/8 X 29 1/4
RDO3936	17 3/4 X 34	19 1/8 X 35 1/4
RDO3942	17 3/4 X 40	19 1/8 X 41 1/4
RDO2121	19 1/4 X 18 1/2	20 5/8 X 19 3/4
RDO2124	19 1/4 X 21 1/2	20 5/8 X 22 3/4
RDO2130	19 1/4 X 28	20 5/8 X 29 1/4
RDO2136	19 1/4 X 34	20 5/8 X 35 1/4
RDO2142	19 1/4 X 40	20 5/8 X 41 1/4
RDO4524	20 3/4 X 21 1/2	22 1/8 X 22 3/4
RDO4530	20 3/4 X 28	22 1/8 X 29 1/4
RDO4536	20 3/4 X 34	22 1/8 X 35 1/4
RDO4542	20 3/4 X 40	22 1/8 X 41 1/4
RDO2418	22 1/4 X 16	23 5/8 X 17 1/4
RDO2421	22 1/4 X 18 1/2	23 5/8 X 19 3/4
RDO2424	22 1/4 X 21 1/2	23 5/8 X 22 3/4
RDO2430	22 1/4 X 28	23 5/8 X 29 1/4
RDO2436	22 1/4 X 34	23 5/8 X 35 1/4
RDO2442	22 1/4 X 40	23 5/8 X 41 1/4
RDO24TALL	22 1/4 X 60 1/2	23 5/8 X 61 1/8
RDO1524BWBT	13 1/4 X 21 1/2	14 5/8 X 22 3/4
RDO1824BWBT	16 1/4 X 21 1/2	17 5/8 X 22 3/4
RDOBCR33	7 1/4 X 28	7 15/16 X 29 1/4
RDOBCR36	10 1/4 X 28	10 15/16 X 29 1/4
RDOSFA36	14 3/4 X 21 1/2	14 5/8 X 22 3/4
RDOSFA42	22 1/4 X 21 1/2	22 1/8 X 22 3/4

REPLACEMENT DOORS (continued)

PART	TRADITIONAL OVERLAY	FULL OVERLAY
RDOUBCR36	10 1/4 X 25	10 15/16 X 26 1/4
RDOUBLS	10 1/8 X 24 1/4	N/A
RDOWA30	14 3/4 X 28	14 5/8 X 29 1/4
RDOWA36	14 3/4 X 34	14 5/8 X 35 1/4
RDOWA42	14 3/4 X 40	14 5/8 X 41 1/4
RDOWBC24/2730	8 3/4 X 28	10 1/8 X 29 1/4
RDOWBC24/2736	8 3/4 X 34	10 1/8 X 35 1/4
RDOWBC24/2742	8 3/4 X 40	10 1/8 X 41 1/4

REPLACEMENT DRAWER FRONTS

PART	TRADITIONAL OVERLAY	FULL OVERLAY
RDF30DKD	3 1/2 X 28 1/4	4 1/8 X 29 5/8
RDF12STD	5 1/2 X 10 1/4	6 1/8 X 11 5/8
RDF27/2STD	5 1/2 X 11 3/4	6 1/8 X 13 1/8
RDF15STD	5 1/2 X 13 1/4	6 1/8 X 14 5/8
RDF33/2STD	5 1/2 X 14 3/4	6 1/8 X 16 1/8
RDFSBA/SFA36STD	5 1/2 X 14 3/4	6 1/8 X 14 5/8
RDF18STD	5 1/2 X 16 1/4	6 1/8 X 17 5/8
RDFBBC45/48STD	5 1/2 X 17 3/4	6 1/8 X 19 1/8
RDF21STD	5 1/2 X 19 1/4	6 1/8 X 20 5/8
RDF45STD	5 1/2 X 20 3/4	6 1/8 X 22 1/8
RDF24STD	5 1/2 X 22 1/4	6 1/8 X 23 5/8
RDFSBA/SFA42STD	5 1/2 X 22 1/4	6 1/8 X 22 1/8
RDF27STD	5 1/2 X 25 1/4	6 1/8 X 26 5/8
RDF30STD	5 1/2 X 28 1/4	6 1/8 X 29 5/8
RDF33STD	5 1/2 X 31 1/4	6 1/8 X 32 5/8
RDF36STD	5 1/2 X 34 1/4	6 1/8 X 35 5/8
RDF39STD	5 1/2 X 37 1/4	6 1/8 X 38 5/8
RDF12DP1	9 X 10 1/4	9 3/4 X 11 5/8
RDF15DP1	9 X 13 1/4	9 3/4 X 14 5/8
RDF33/2DP1	9 X 14 3/4	9 3/4 X 16 1/8
RDF18DP1	9 X 16 1/4	9 3/4 X 17 5/8
RDF21DP1	9 X 19 1/4	9 3/4 X 20 5/8
RDF24DP1	9 X 22 1/4	9 3/4 X 23 5/8
RDF12DP2	10 3/8 X 10 1/4	11 3/16 X 11 5/8
RDF15DP2	10 3/8 X 13 1/4	11 3/16 X 14 5/8
RDF18DP2	10 3/8 X 16 1/4	11 3/16 X 17 5/8
RDF21DP2	10 3/8 X 19 1/4	11 3/16 X 20 5/8
RDF24DP2	10 3/8 X 22 1/4	11 3/16 X 23 5/8
RDF30DP2	10 3/8 X 28 1/4	11 3/16 X 29 5/8
RDF36DP2	10 3/8 X 34 1/4	11 3/16 X 35 5/8

CODE	PAGE	CODE	PAGE	CODE	PAGE	CODE	PAGE	CODE	PAGE
#		CVLM	K3	L		S		VF	L11
09	C8	CVLR	K3	LKDVUMFESA	L2	SADO	L6	VFPS	G7
12	C8			LS	D9	SB	E4	VNTCLPPK	L6
15	C8	D		LSTCM	K4	SBA	E5	VS	G2-G4
18	C8	DEPC	H2			SCARC	L4	VTK	J6
21	C8	DKDDT	H1	M		SCM	K6	VWR	G7
24	C8	DKDT	H1	MBUS	K5	SFA	E5		
1FT	C9	DOCK	F4			SFB	E10	W	
1ST	C9	DSB	E4	N		SFDB	E10	W	D1-D2
2ST	C9			NBM	K5	SFEP	E11	WA	D5
		F				SHCLP	L5	WBC	D4
A		FDS	C8	O		SHCLPLK	L5	WCC	D9
ACM	K2	FRM	C10	OCSP	F4	SHO	K6	WEP	D8
ACMFM	K2	FS	J3, L9	OCU	F3	SHSUPBPK	L5	WF	D8
AHDO	L7			ODK	F3	SHSUPC	L5	WFC	D8
AOSC8	K2			OSC	K3	SHSUPK	L5	WL	D6
		G				SLDO	L11	WMS	D7
B		GDEFESMBB	L1	P		SM	K5	WR	D2
B	E1-E2	GDEFESMBBIL	L2	PB	E3, J1-J2	SWS	K6	WSC	D6
BACKPLUG2H	L6	GDEFESMBBIR	L2	PG	L7			WSM	K5
BBC	E7	GDESM	L1	PULL	K7-K10	T			
BCFS	E8	GDESMIL	L1	PUTTY	L10	TEP	F5		
BCRB	E7	GDESMOL	L1			TF	F4, G8		
BD	E2	GDESMPB	L1	Q		TFB	K6		
BEP	E10	GDEUMFESA	L2	QCST	L10	TKCL	E12, F5, G8		
BEPF	E11	GDEUMFESAL	L2	QP	L10	TKCUL	I4		
BFPS	E5	GDEUMFESAPB	L2	QR	K5	TLR	K6		
BK	D6	GDEUMFESAR	L2	QST	L10	TP	L9		
BS	J3					TSCP	L10		
BSOS	E9	H		R		TSCT	L10		
BTK	J5	HDS	C8	RBS	J4	TUK	L9		
BTMC	E5	HINDR2DRBIFOLD	L4	REP	F5	U			
BWBFMK	E9	HINFM	L4	REPF	F5	U	F1-F2		
BWBT	E3	HINFOL6WY	L4	RMBFESMBBGDE	L3	UAP	J2		
BWBTK	E9	HINFRM2DRBIFOLD	L4	RMBSMGDE	L3	UB	I1-I2		
		HINSCFM	L4	RMBSMGDEPB	L3	UBCR	I3		
C		HINSCFOL6WY	L4	RMBUMFESAGDE	L3	UBD	I2		
CCK	L8	HINSCFOL6WY	L4	RMBUMFESAGDEPB	L3	UBLS	I3		
CCM	K2	HINTOL6WY	L4	ROT	J6	URSF	I3		
CCPC	L8	HSD	E11	RVS	J4	USB	I2		
CDC	L8			RWS	J4	USK	J3		
CDI	E10	I				UTK	E10		
CFO	C9	ICM	K3						
CFTK	E11, F5, G8	ILR	K4			V			
CM	K4	INSTALLSCREWS	L6			V	K1		
CRK	L9					VB	G1-G2		
CSM	K4	K				VBT	G2		
CSO	C10	KNOB	K7-K10			VCD	G5-G6		
CTR	K3					VD	G6		
CTSB	K1								

Notes

CABINETS

Envision cabinetry makes better use of nature's hardwood, while providing a quality product. The wide range of wood colors and grain variations are natural characteristics of the wood and not a defect.

CABINET FRAMES

3/4" thick, kiln dried, solid hardwood joined with pocket screw joinery construction.

END PANELS

3/8" thick engineered wood is permanently finished on 2 sides with a laminate resistant to water and most household chemicals. End panels are machined to accept tops, bottoms, and backs. Ends are drilled to accept adjustable shelves. Tall cabinet end panels are 1/2" thick.

WALL TOPS AND BOTTOMS

3/8" thick engineered wood is permanently finished on 2 sides with a laminate resistant to water and most household chemicals.

BASE BOTTOMS

3/8" thick engineered wood is permanently finished on 1 side with a laminate resistant to water and most household chemicals.

SHELVES

1/2" thick engineered wood is permanently finished on 2 sides for full depth shelves. Half-depth base cabinet shelves in 33" wide cabinets and wider are finished 1 side, half-depth base cabinet shelves in cabinets less than 33" wide are finished two sides with a laminate resistant to water and most household chemicals. Front edge is edge banded with melamine banding. Wall and Base cabinets have adjustable shelves supported by adjustable shelf clips.

Half-depth shelves in base cabinets 33" wide and wider have a matching full-length support apron secured to the underside near the front edge for additional support. Shelves are designed to support 15 lbs. per square foot, not to exceed 50 lbs. per shelf.

Shelves in BUTT door cabinets are 3/4" thick engineered wood.

BOOKCASE SHELVES

3/4" thick engineered wood, permanently laminated two sides to match exterior finish of cabinet. All bookcase units have adjustable shelves. Front edge is edge banded.

WALL BACKS

3/8" thick engineered wood finished on one side with a laminate resistant to water and household chemicals. Full-length dadoes in back allow tops and bottoms to be captured, stapled and glued.

BASE BACKS

1/4" thick engineered wood finished on one side with a laminate resistant to water and household chemicals. Extends full-length to floor.

WALL HANG RAILS

3/8" thick engineered wood full-length across top and bottom secured with staples.

BASE HANG RAILS

1/4" Engineered Wood full-length across top secured with staples

DRAWER GUIDES

75 pound rated drawer guide system, side mounted, 3/4 extension with self-adjusting mounting brackets at rear. Drawer slides are fastened to the drawer box with screws.

DRAWER FRONTS

3/4" solid hardwood on all wood styles. Laminate and substrate on laminate drawer fronts use the same materials as corresponding door style.

DRAWER CORES

1/2" thick sides, fronts and backs of engineered wood. Top edges are finished with melamine banding. Side surfaces are finished with a laminate resistant to water and most household chemicals. 3/8" thick engineered wood bottom panel is finished on one side with same laminate. Laminate/edge banding finish is Natural Maple. Drawer sides are rabbeted to join the drawer box fronts and backs. Each corner is joined with glue and stapled. Standard drawer interior height is 3 5/8". Base cabinet interior front-to-back depth is 20 11/16", vanity is 17 15/16".

OPTIONAL DOVETAIL WOOD DRAWER WITH UNDERMOUNT GUIDE SYSTEM

5/8" sides, fronts and backs are solid hardwood. Drawer sides, fronts and backs are joined with half blind dovetail joints.

Nominal 3/16" Medium Density Fiberboard (MDF) drawer bottom is laminate surface for easy cleaning. Drawer bottom is joined to the drawer sides, front and back on all 4 sides with a groove.

Hardwood drawer components are finished with clear sealer and topcoat on exposed surfaces. Standard drawer interior height is 2 3/4"; deep drawers are 5 3/4". Base cabinet interior front-to-back depth is 19 13/32", vanity is 16 7/16".

Full extension soft close undermount guide system is concealed, self-closing and can be adjusted to align the drawer head.

TOE KICK

3/8" thick engineered wood. Toe kick extends from floor to bottom of cabinet, closing the toe kick area. Toe kick cover is required and sold separately.

HINGES

Traditional overlay door styles come with fully concealed European style hinges that feature 105° opening, 6-way adjustment, and a self closing feature.

Full overlay door styles come with fully concealed European style hinges that feature 107° opening, 6-way adjustment, and a self closing feature.

Some corner cabinets using concealed hinges will have hinges with wider opening capability for improved access.

CARTONING

Select door styles and/or finishes are available with face wrap. Not all cabinets are available with face wrap. Contact your Customer Service Representative for details.

APPEAL SERIES